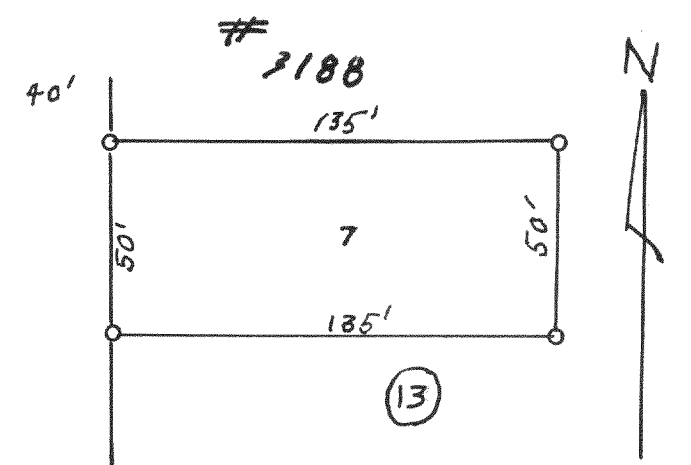
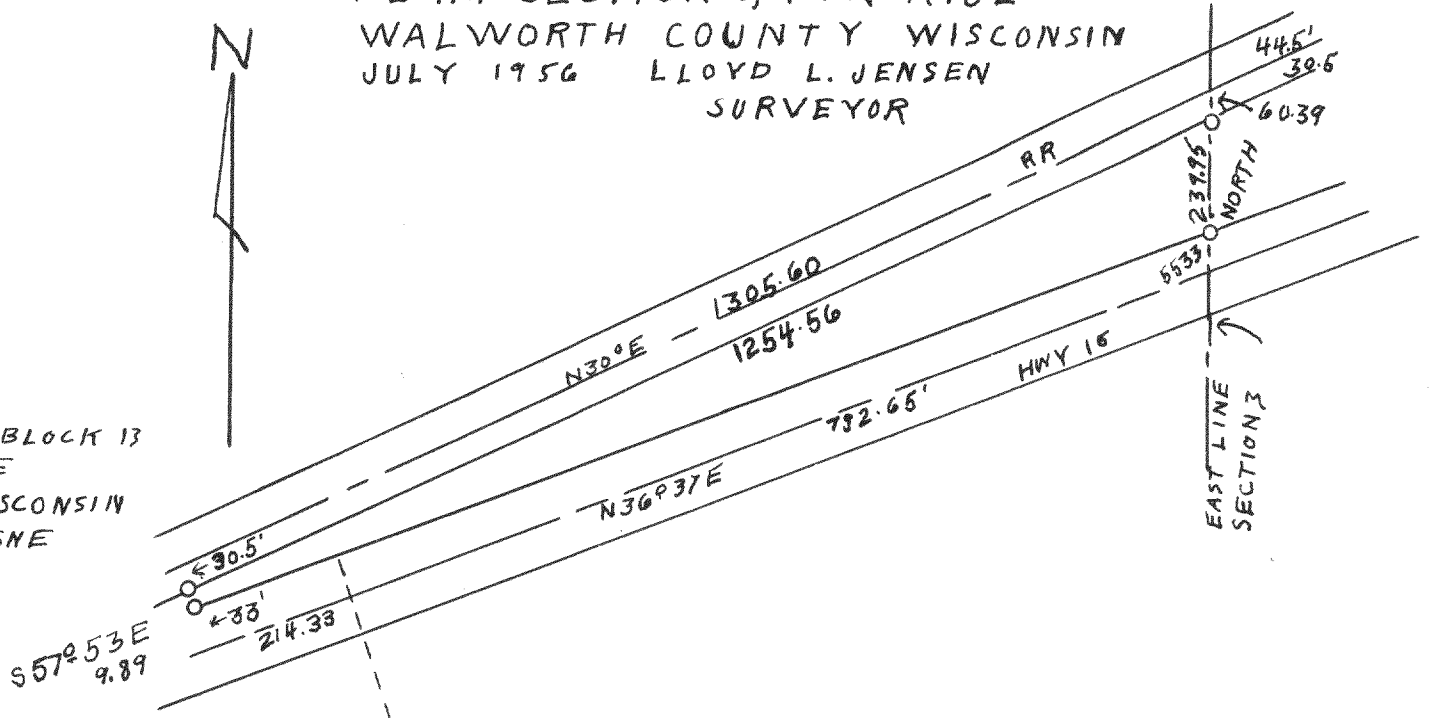


# 3187  
 PLAT OF SURVEY OF LAND IN  
 NW 1/4 SECTION 1 T3N R18E  
 WALWORTH COUNTY WISCONSIN  
 NOV. 1956 LLOYD L. JENSEN  
 SURVEYOR

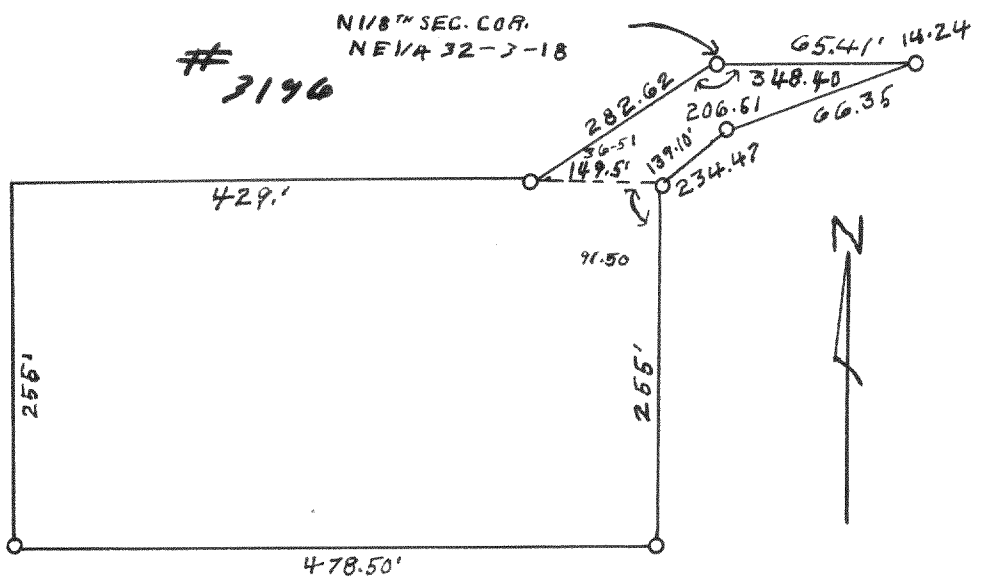


# 3188  
 PLAT OF SURVEY OF LOT 7 BLOCK 13  
 OF MIRAMAR T4N R18E  
 WALWORTH COUNTY WISCONSIN  
 MAR. 1955 LLOYD L. JENSEN  
 SURVEYOR

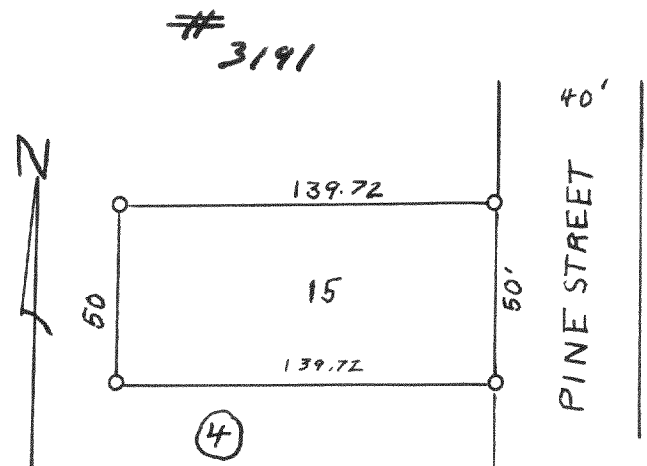
# 3189  
 PLAT OF SURVEY OF LAND IN  
 NE 1/4 SECTION 3, T4N R18E  
 WALWORTH COUNTY WISCONSIN  
 JULY 1956 LLOYD L. JENSEN  
 SURVEYOR



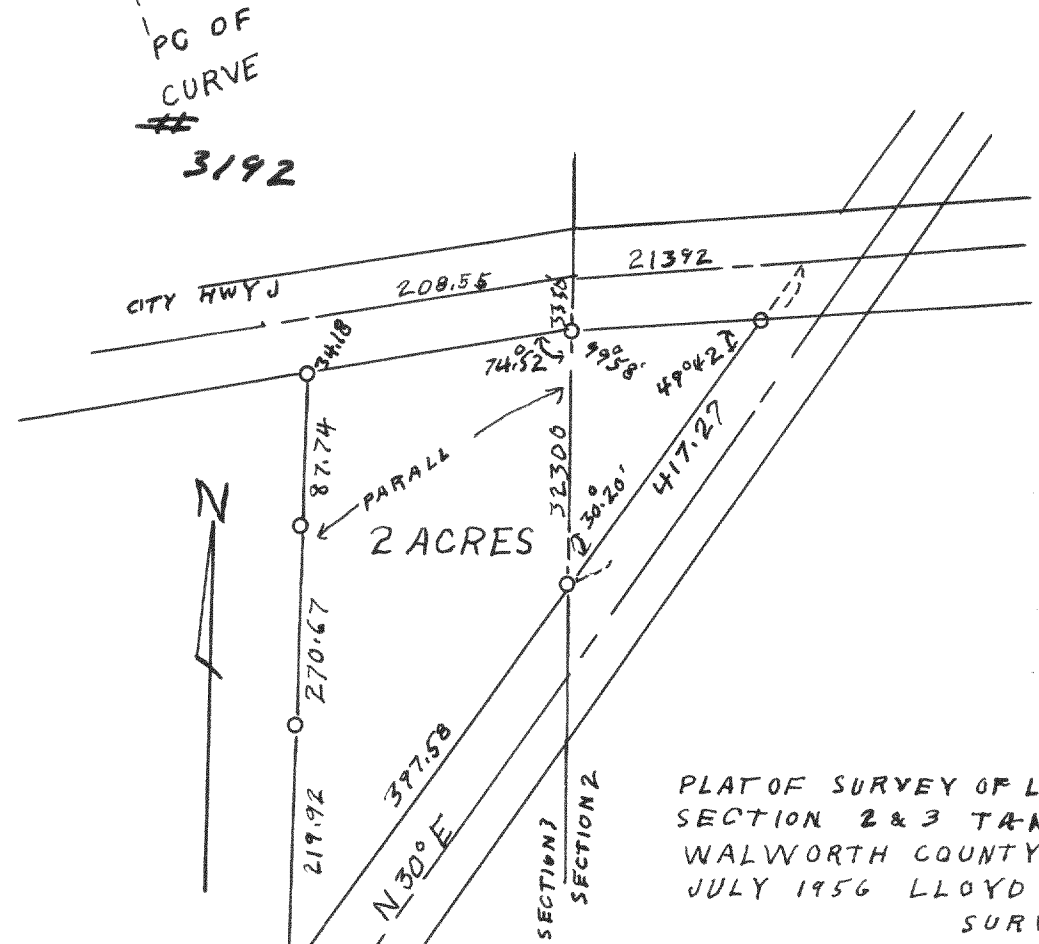
W 1/4 COR. 1-3-18 COUNTY HWY 'D'



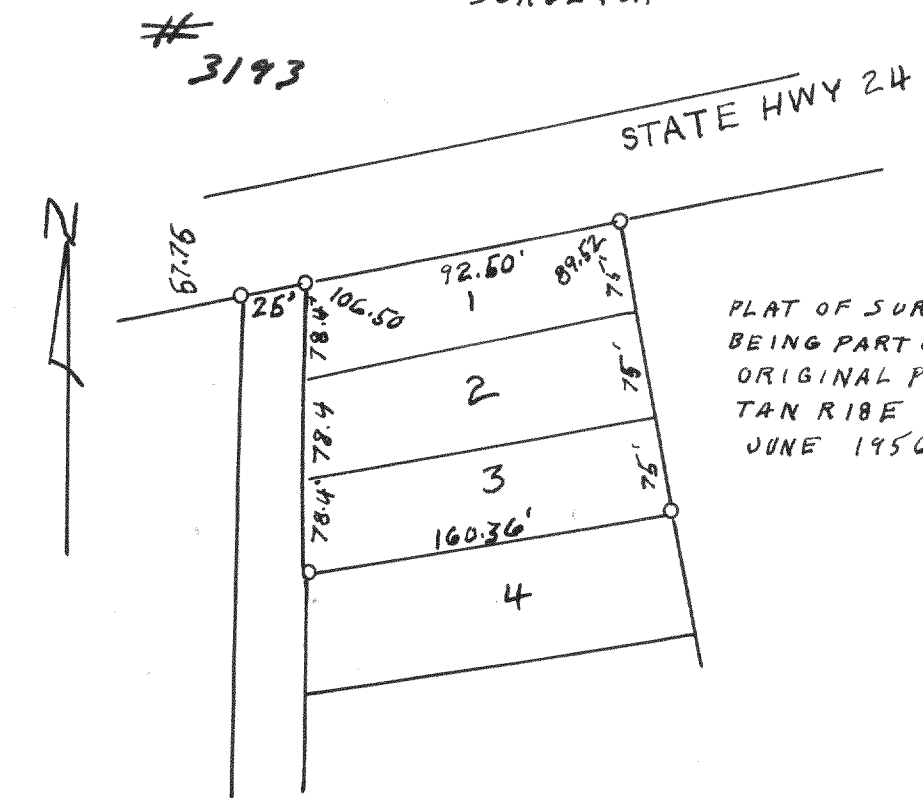
# 3196  
 PLAT OF SURVEY OF LAND IN  
 NE 1/4 SECTION 32 T3N R18E  
 WALWORTH COUNTY WISCONSIN  
 MAR 1955 LLOYD L. JENSEN  
 SURVEYOR



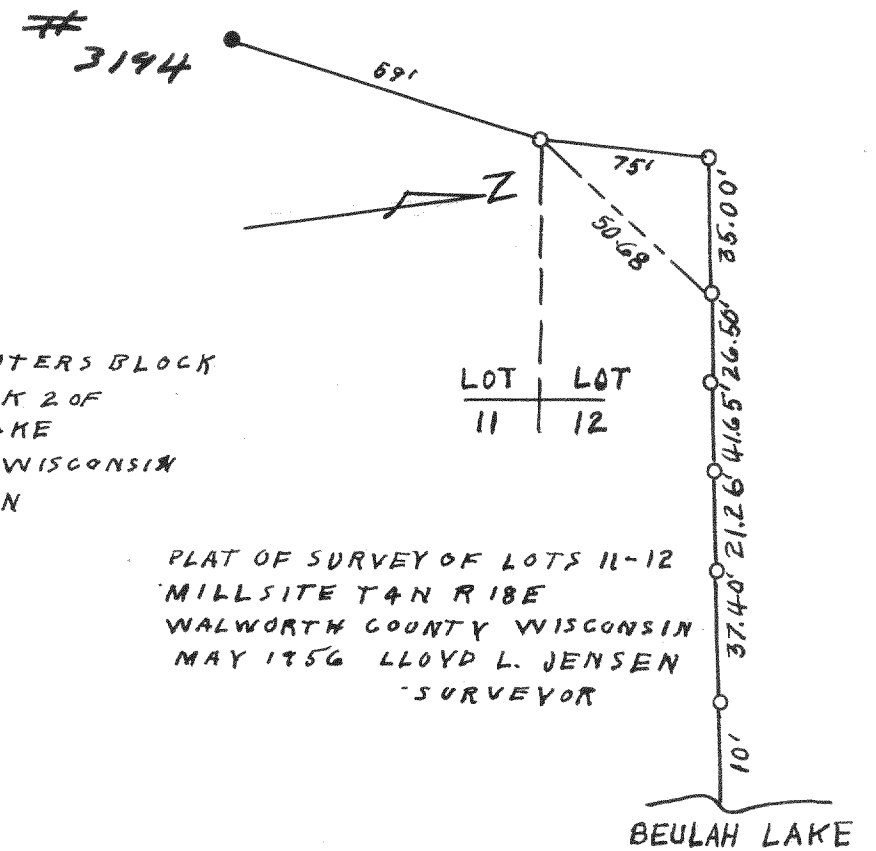
# 3191  
 PLAT OF SURVEY OF LOTS 15  
 BLOCK 4 MIRAMAR T4N R18E  
 WALWORTH COUNTY WISCONSIN  
 JUNE 1955 LLOYD L. JENSEN  
 SURVEYOR



# 3192  
 PLAT OF SURVEY OF LAND IN  
 SECTION 2 & 3 T4N R18E  
 WALWORTH COUNTY WISCONSIN  
 JULY 1956 LLOYD L. JENSEN  
 SURVEYOR



# 3193  
 PLAT OF SURVEY OF LOTS 1-3 HUNTERS BLOCK  
 BEING PART OF LOTS 1-2 OF BLOCK 2 OF  
 ORIGINAL PLAT OF BEVLAH LAKE  
 T4N R18E WALWORTH COUNTY WISCONSIN  
 JUNE 1956 LLOYD L. JENSEN  
 SURVEYOR



# 3194  
 PLAT OF SURVEY OF LOTS 11-12  
 MILLSITE T4N R18E  
 WALWORTH COUNTY WISCONSIN  
 MAY 1956 LLOYD L. JENSEN  
 SURVEYOR