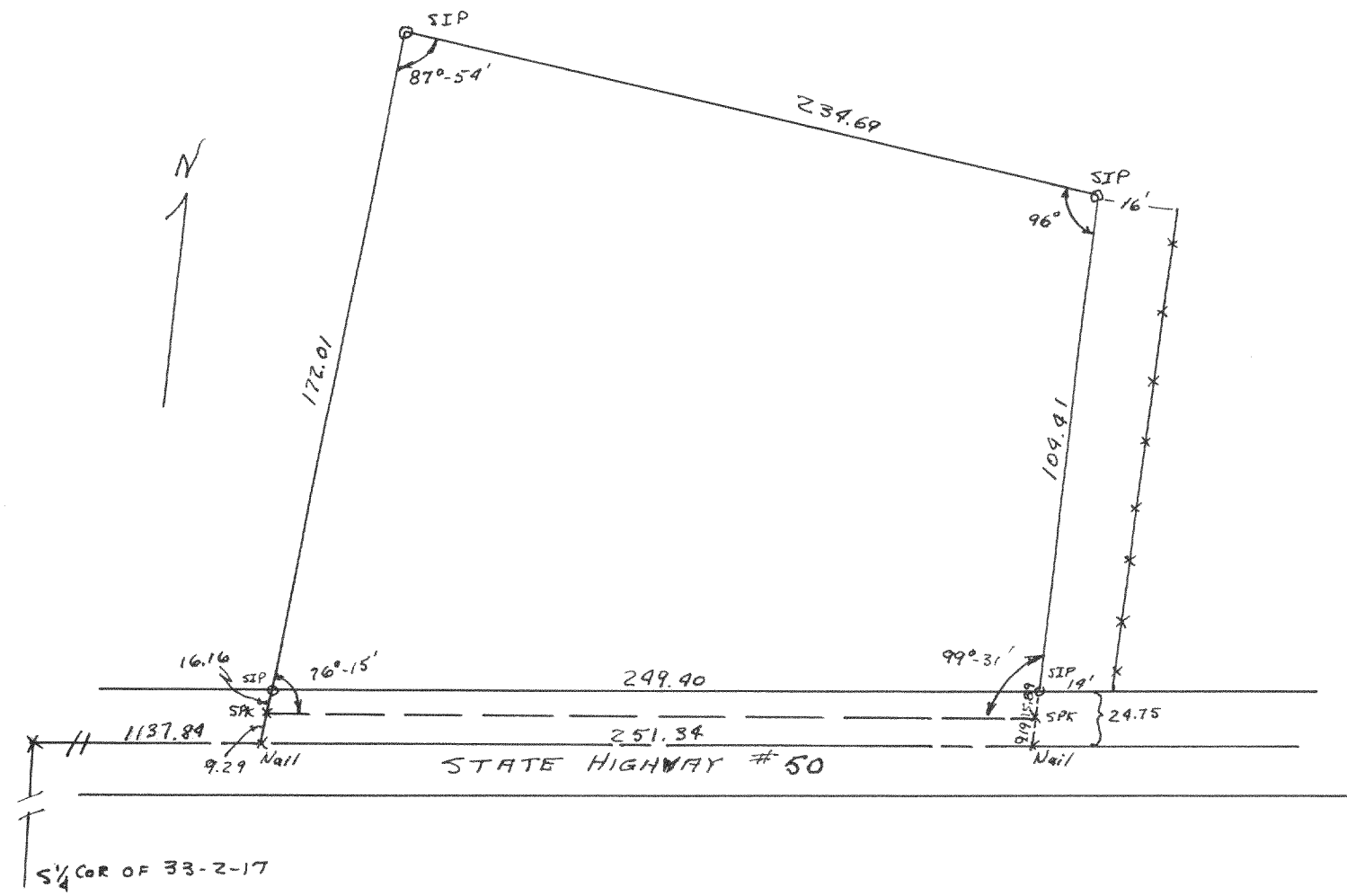


#1738

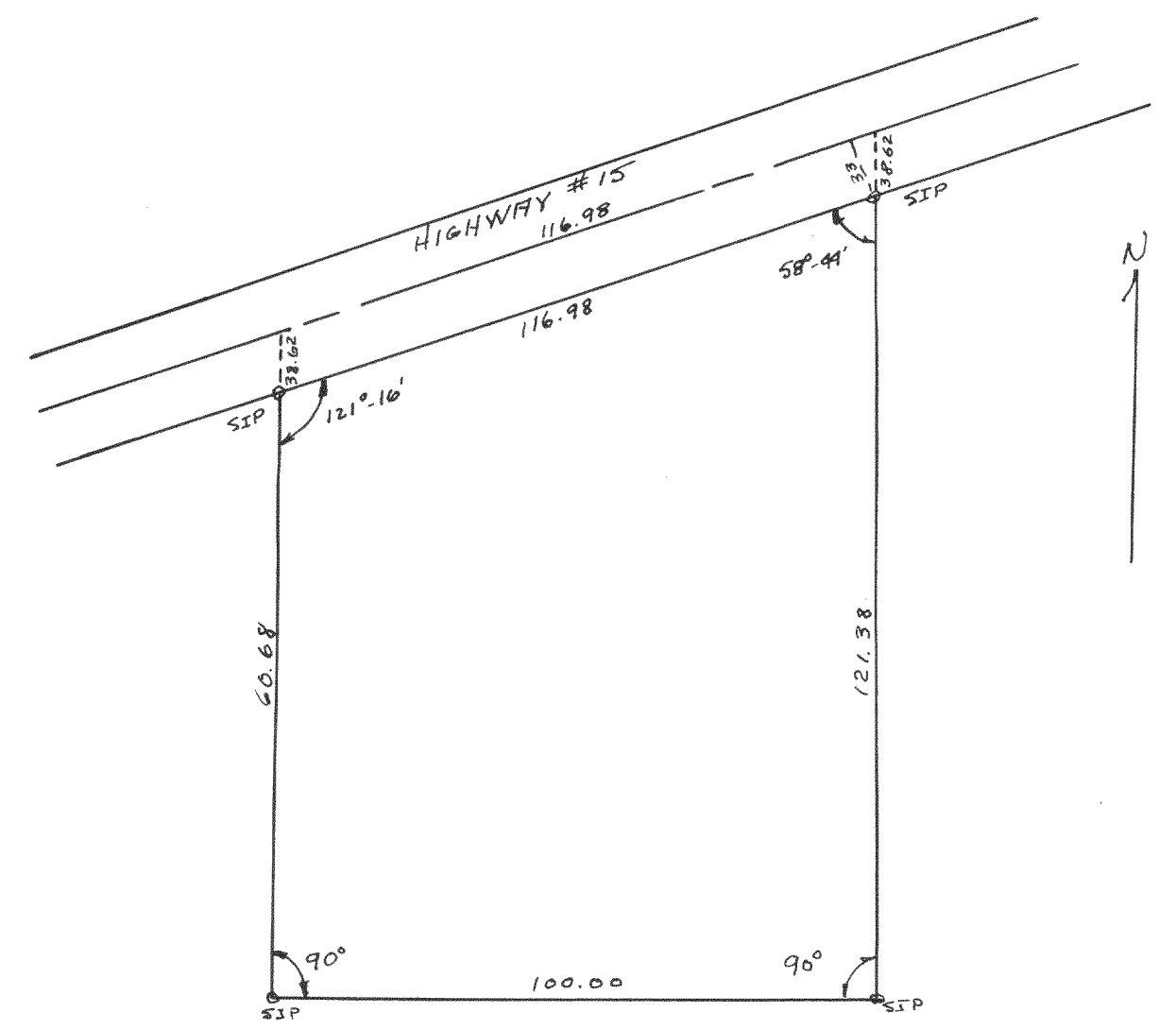


Plot of survey of parcel of land on the Chapin 7 arm located
 in section 33 T2N R17E of Malworth county Wisconsin

April 16 1947

Lloyd S Jensen
 County Surveyor
 L.S.J.

#1739



Plot of survey of parcel of land bought by the
 Wisconsin Ice and Coal company, located in section 20
 T4N R18E of Malworth county Wisconsin

April 1947

Lloyd S Jensen
 County Surveyor
 L.S.J.