

PLAT OF SURVEY



Engineers-Land Surveyors-Environmental Scientists
801 MAIN STREET MUKWONAGO, WISCONSIN 53149 (262)363-2004

RECERTIFICATION DATE: 11/07/2003
DATE: 9/30/2003 ADDED GARAGE
DATE: 09/18/03

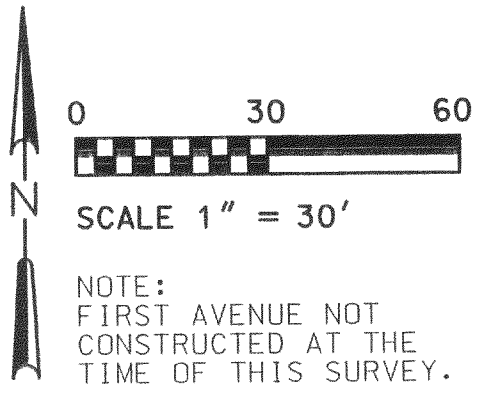
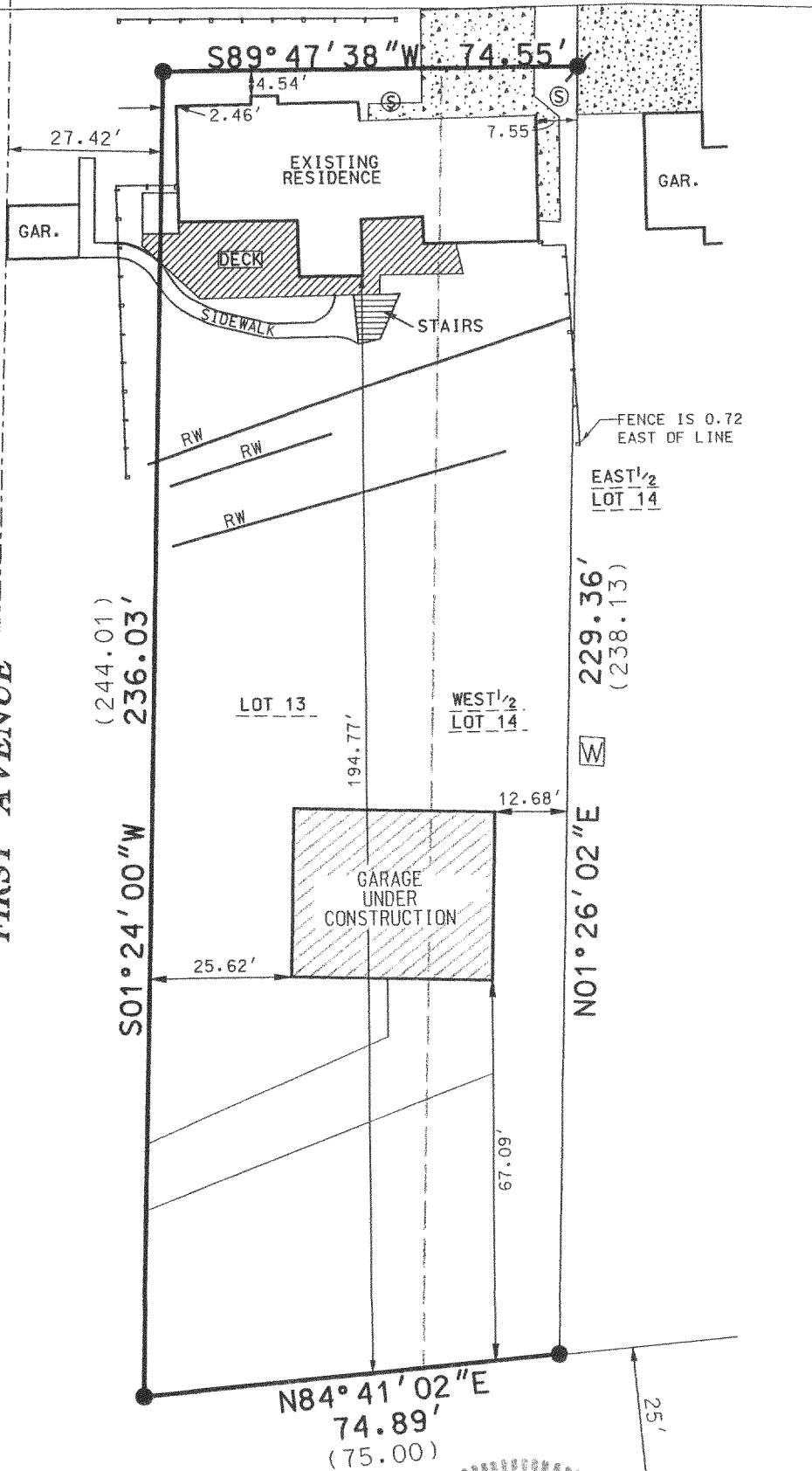
FOR: JOHN IREK

DESCRIPTION: ALL OF LOT 13, AND THE WEST 1/2 OF LOT 14 OF HART'S BEULAH VIEW SUBDIVISION, LOCATED IN THE NE 1/4 OF THE NE 1/4 OF SECTION 9, TOWN 4 NORTH, RANGE 18 EAST, TOWN OF EAST TROY, WALWORTH COUNTY, WISCONSIN.

BEULAH LANE RD.

LEGEND

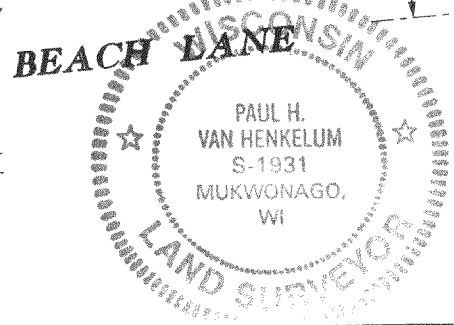
Symbol	Description
	1"x18" @ 1.13 #/LF IRON PIPE SET
	FOUND 1" IRON PIPE
	RETAINING WALL
	FENCE
	CENTER LINE
	WELL HOUSE
	SEPTIC
	RECORDED AS
	CONCRETE



NOV 18
LW

I PAUL H. VAN HENKELUM R.L.S. # 1931 HEREBY CERTIFY THAT THIS SURVEY WAS MADE IN ACCORDANCE WITH THE MINIMUM STANDARDS FOR PROPERTY SURVEYS (CHAPTER A-E7) STATE OF WISCONSIN AND HAS BEEN PREPARED UNDER MY DIRECTION AND CONTROL AND IS CORRECT TO THE BEST OF MY KNOWLEDGE AND BELIEF.

Paul H. Van Henkelum 11/08/03
PAUL H. VAN HENKELUM, R.L.S. # 1931
RSV DATA6/BRADTDS03/J03270RECRT.DGN



PHS-13

418-1737

PLAT OF SURVEY



Engineers • Land Surveyors • Environmental Scientists
801 MAIN STREET MUKWONAGO, WISCONSIN 53149 (262)363-2004

FOR: JOHN IREK

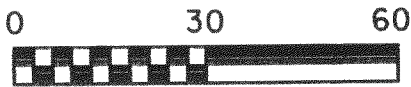
DATE: 9/30/2003 ADDED GARAGE
DATE: 09/18/03

DESCRIPTION: DESCRIPTION: ALL OF LOT 13, AND THE WEST 1/2 OF LOT 14 OF HART'S BEULAH VIEW SUBDIVISION, LOCATED IN THE NE 1/4 OF THE NE 1/4 OF SECTION 9, TOWN 4 NORTH, RANGE 18 EAST, TOWN OF EAST TROY, WALWORTH COUNTY, WISCONSIN.

BEULAH LANE RD.

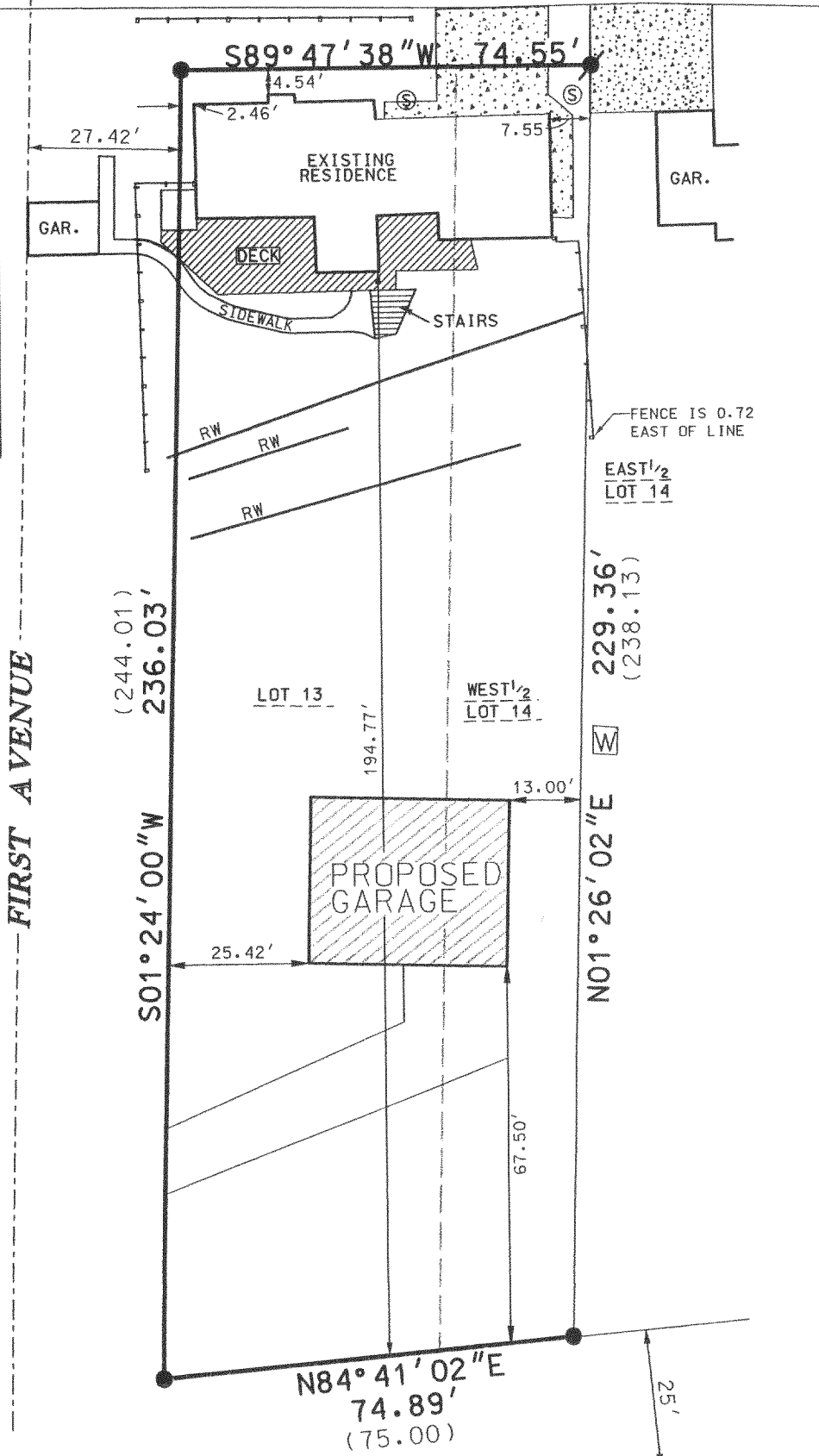
LEGEND

Symbol	Description
	1" x 18" @ 1.13 #/LF IRON PIPE SET
	FOUND 1" IRON PIPE
	RETAINING WALL
	FENCE
	CENTER LINE
	WELL HOUSE
	SEPTIC
	RECORDED AS
	CONCRETE



SCALE 1" = 30'

NOTE:
FIRST AVENUE NOT CONSTRUCTED AT THE TIME OF THIS SURVEY.



I PAUL H. VAN HENKELUM R.L.S. # 1931 HEREBY CERTIFY THAT THIS SURVEY WAS MADE IN ACCORDANCE WITH THE MINIMUM STANDARDS FOR PROPERTY SURVEYS (CHAPTER A-E7) STATE OF WISCONSIN AND HAS BEEN PREPARED UNDER MY DIRECTION AND CONTROL AND IS CORRECT TO THE BEST OF MY KNOWLEDGE AND BELIEF.

PAUL H. VAN HENKELUM, R.L.S. # 1931
RSV DATA6/BRADTDS03/J03270.DGN

NOV 18 2003

KW

PLAT OF SURVEY

RSV

ENGINEERING, INC.

Engineers • Land Surveyors • Environmental Scientists
801 MAIN STREET MUKWONAGO, WISCONSIN 53149 (262)363-2004

FOR: JOHN IREK

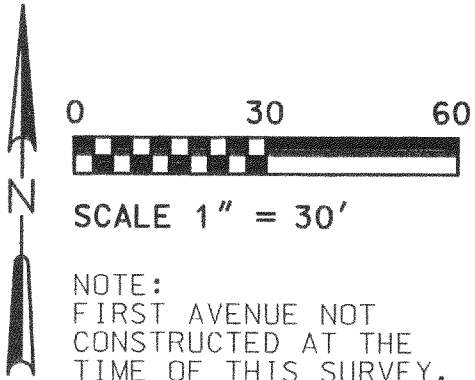
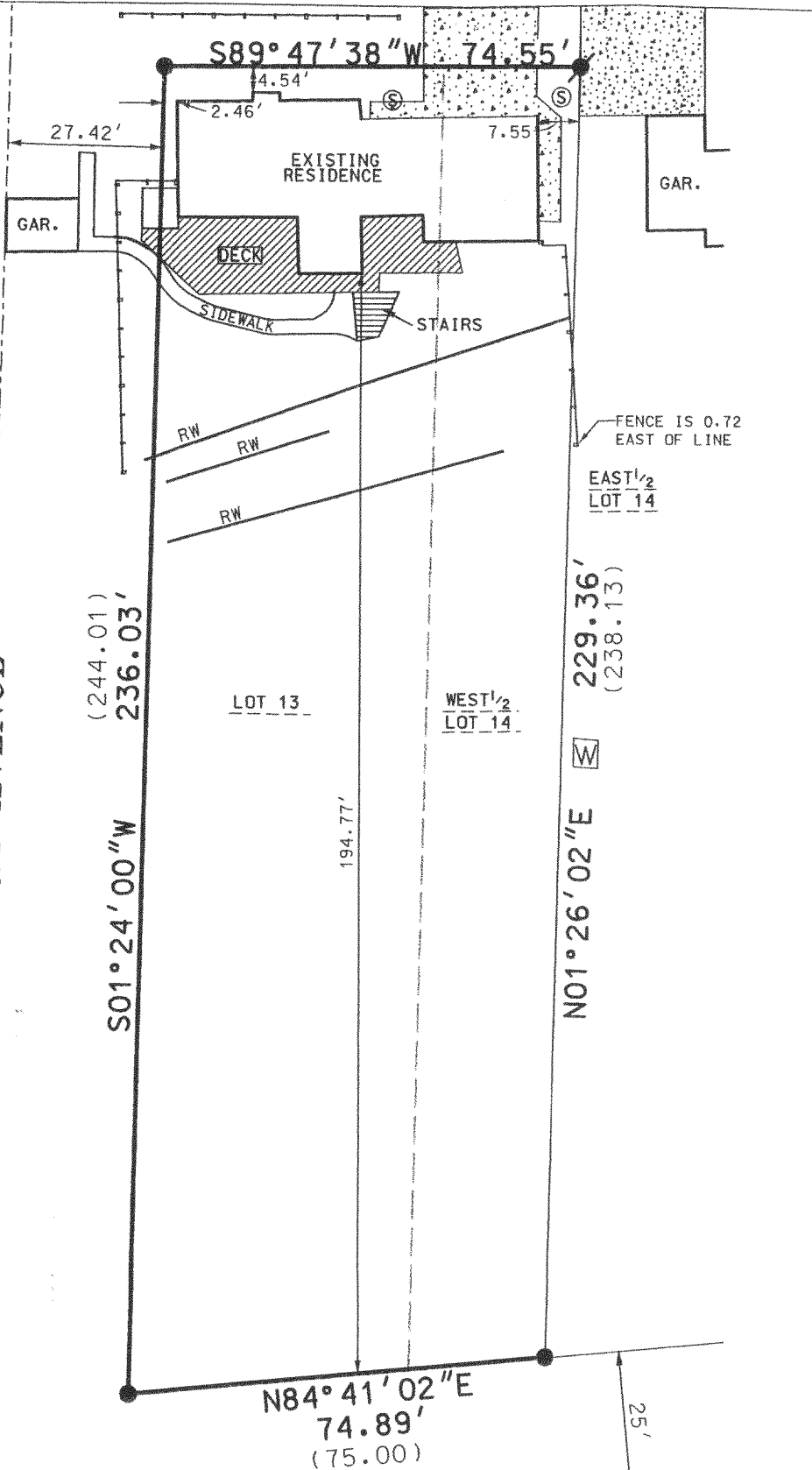
DATE: 09/18/03

DESCRIPTION: DESCRIPTION: ALL OF LOT 13, AND THE WEST 1/2 OF LOT 14 OF HART'S BEULAH VIEW SUBDIVISION, LOCATED IN THE NE 1/4 OF THE NE 1/4 OF SECTION 9, TOWN 4 NORTH, RANGE 18 EAST, TOWN OF EAST TROY, WALWORTH COUNTY, WISCONSIN.

BEULAH LANE RD.

LEGEND

Symbol	Description
	1" x 18" @ 1.13 #/LF IRON PIPE SET
	FOUND 1" IRON PIPE
	RETAINING WALL
	FENCE
	CENTER LINE
	WELL HOUSE
	SEPTIC
	RECORDED AS
	CONCRETE



I PAUL H. VAN HENKELUM R.L.S. # 1931 HEREBY CERTIFY THAT THIS SURVEY WAS MADE IN ACCORDANCE WITH THE MINIMUM STANDARDS FOR PROPERTY SURVEYS (CHAPTER A-E7) STATE OF WISCONSIN AND HAS BEEN PREPARED UNDER MY DIRECTION AND CONTROL AND IS CORRECT TO THE BEST OF MY KNOWLEDGE AND BELIEF.

Paul H. Van Henkelum 9/22/03
PAUL H. VAN HENKELUM, R.L.S. # 1931
RSV DATA6/BRADTDS03/J03270.DGN

BEACH LANE

