

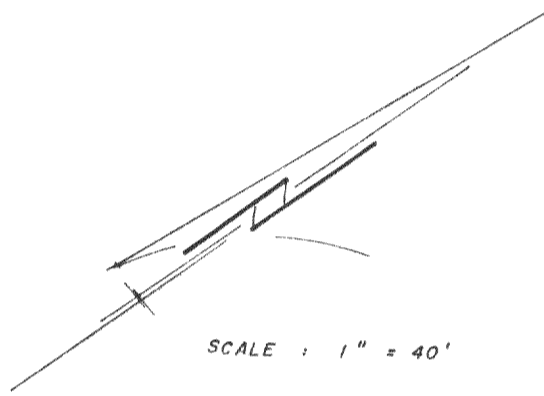
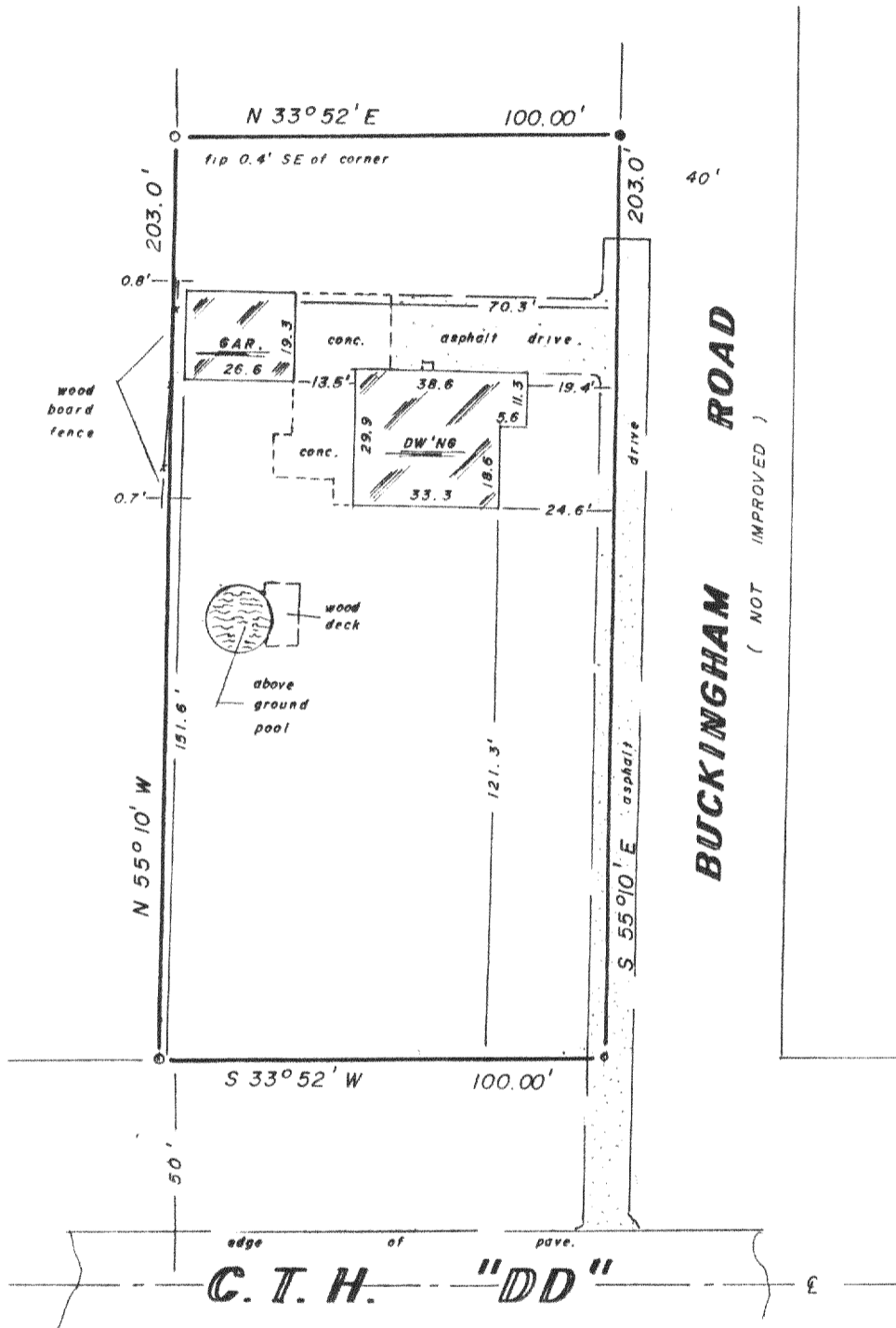
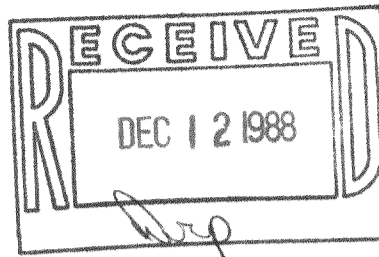
PLAT OF SURVEY

OF

LOTS 3, 4, 5, 6 and 7, BLOCK 20, HONEY LAKE SUBDIVISION FIRST ADDITION, being a part of the Southeast 1/4 of Section 13, Township 3 North, Range 18 East, Town of Spring Prairie, Walworth County, Wisconsin. Excepting therefrom that part conveyed to Walworth County for highway purposes in deed recorded August 13, 1953, in Volume 459 of Deeds, page 183 as Document #454605.

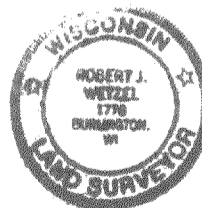
Survey For: BEAR REALTY
Owner: Jon Maasch

Survey Location: 1385 Hwy. "DD"



- — FOUND IRON PIPE
- — SET IRON PIPE
- — SET IRON PIN

B. W. SURVEYING
LAND SURVEYS, MAPPING & PLANNING
35117 ACADEMY ROAD
BURLINGTON, WISCONSIN 53105
(414) 534 - 4109



THIS IS NOT AN ORIGINAL COPY
UNLESS THIS SEAL IS RED.

Robert J. Wetzel
ROBERT J. WETZEL
REGISTERED LAND SURVEYOR - 1778
318-309

8 / 15 / 88

112

DATE

JOB NUMBER

0411-135