

PLAT OF SURVEY
-OF-

LOTS 9, 10, AND 11, BLOCK 10, HONEY LAKE
SUBDIVISION FIRST ADDITION, ACCORDING TO THE
RECORDED PLAT THEREOF. SAID LAND BEING IN
THE TOWN OF SPRING PRAIRIE, COUNTY OF
WALWORTH AND STATE OF WISCONSIN.

SURVEY FOR: RICHARD DREZDON

found iron pipe is 0.27'
south and 0.25' west
of actual corner.

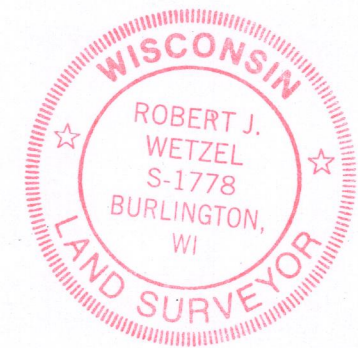
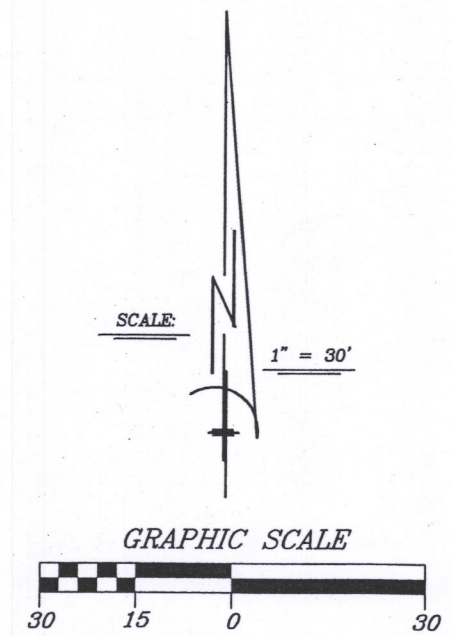
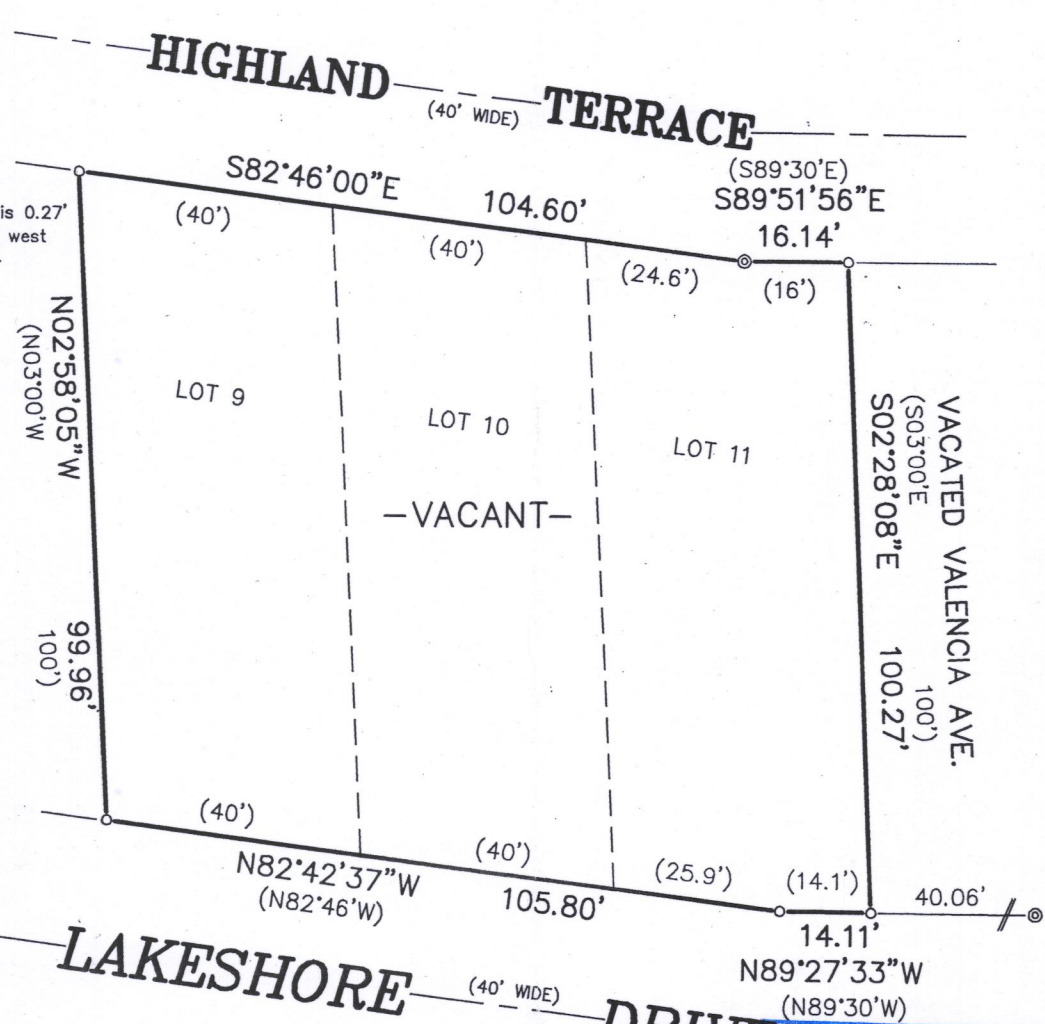
BEARINGS HEREON RELATE TO THE
SOUTH LINE OF HIGHLAND TERRACE.
ASSUMED BEARING OF S82°46'00"E.

LEGEND

- FOUND IRON PIPE
- SET IRON PIPE
- ⊙ FOUND CONCRETE MONUMENT
- () RECORDED AS

"I hereby certify that I have surveyed the above described
property and that the above map is a correct representation thereof
and shows the size and location of the property, its exterior
boundaries, the location of all visible structures and dimensions
of all principal buildings thereon, boundary fences, apparent
easements, roadways and encroachments, if any."

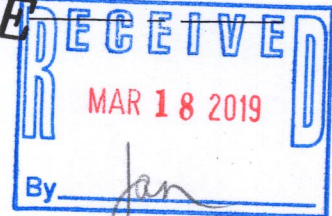
"This survey is made for the use of the present owners of the
property, and those who purchase, mortgage, or guarantee the
title thereto within one year from date hereof."



THIS IS NOT AN ORIGINAL PRINT
UNLESS THIS SEAL IS RED.

Robert J. Wetzel
ROBERT J. WETZEL S-1778

JANUARY 29, 2019 DATE 9802 JOB NUMBER



B.W. SURVEYING, INC.

412 N. PINE STREET
BURLINGTON, WI 53105
(262)-767-0225

OHL 1 - 79

318-1295