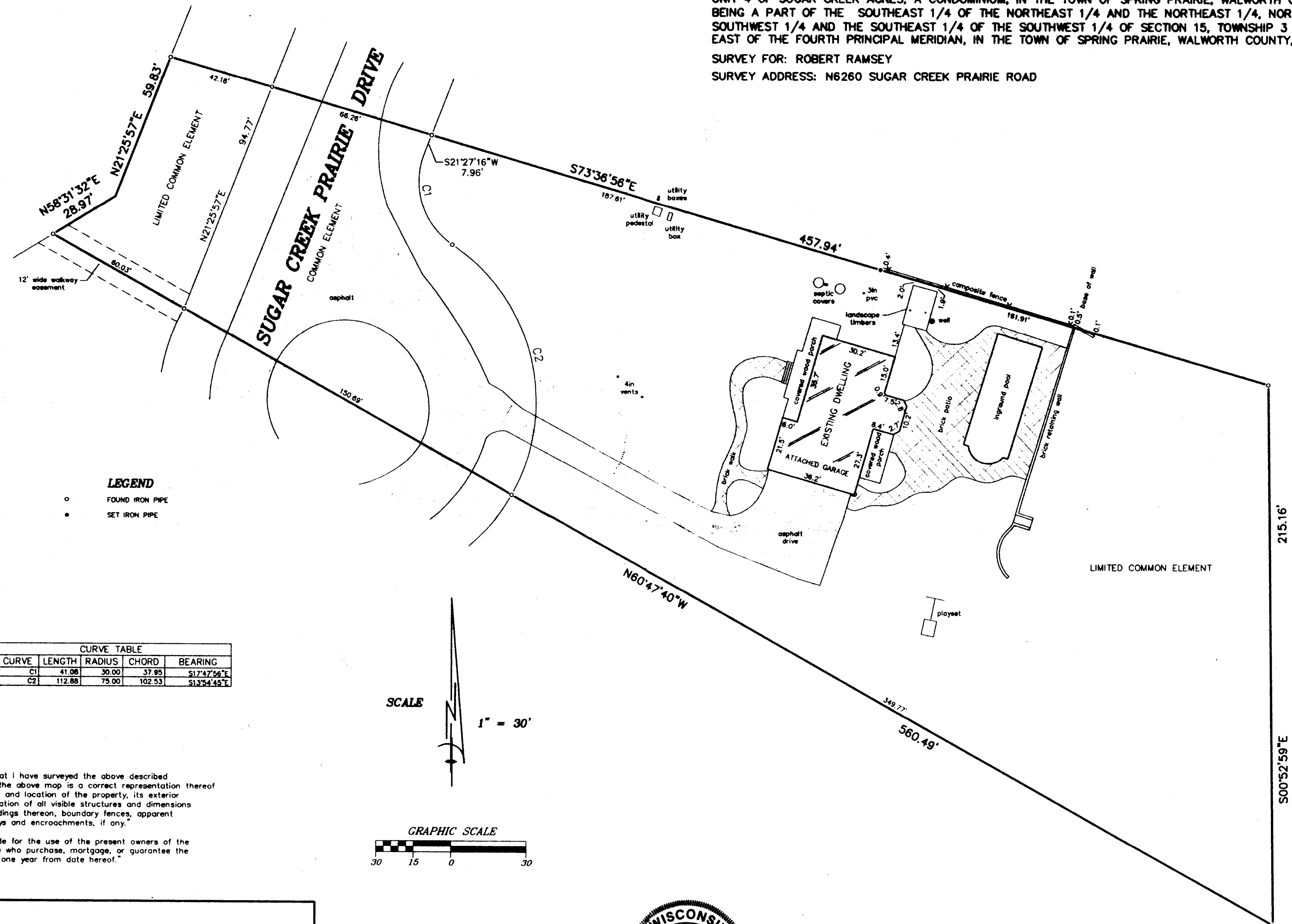


PLAT OF SURVEY
-OF-

UNIT 4 OF SUGAR CREEK ACRES, A CONDOMINIUM, IN THE TOWN OF SPRING PRAIRIE, WALWORTH COUNTY, WISCONSIN. BEING A PART OF THE SOUTHWEST 1/4 OF THE NORTHEAST 1/4 AND THE NORTHEAST 1/4, NORTHWEST 1/4, SOUTHWEST 1/4 AND THE SOUTHWEST 1/4 OF THE SOUTHWEST 1/4 OF SECTION 15, TOWNSHIP 3 NORTH, RANGE 18 EAST OF THE FOURTH PRINCIPAL MERIDIAN, IN THE TOWN OF SPRING PRAIRIE, WALWORTH COUNTY, WISCONSIN.
SURVEY FOR: ROBERT RAMSEY
SURVEY ADDRESS: N8260 SUGAR CREEK PRAIRIE ROAD

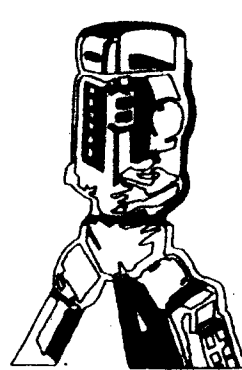
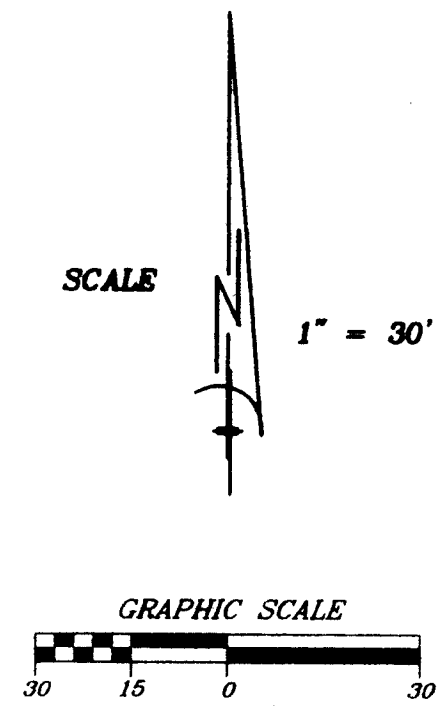


LEGEND

- FOUND IRON PIPE
- SET IRON PIPE

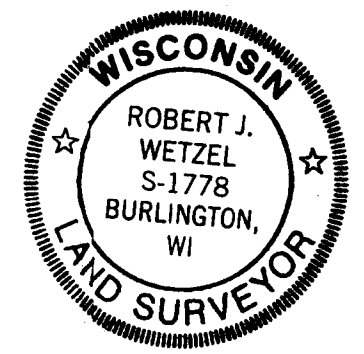
CURVE	LENGTH	RADIUS	CHORD	BEARING
C1	41.08	30.00	37.95	S17°47'56"W
C2	112.89	75.00	102.53	S13°54'45"E

"I hereby certify that I have surveyed the above described property and that the above map is a correct representation thereof and shows the size and location of the property, its exterior boundaries, the location of all visible structures and dimensions of all principal buildings thereon, boundary fences, apparent easements, roadways and encroachments, if any.
This survey is made for the use of the present owners of the property, and those who purchase, mortgage, or guarantee the title thereto within one year from date hereof."

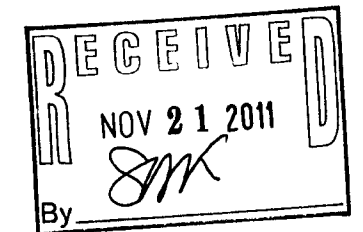


B.W. SURVEYING, INC.

412 N. PINE STREET
BURLINGTON, WI 53105
(262)-767-0225



Robert J. Wetzel
S-1778



DRAWN BY: RW	DATE: 9/1/2010
CHECKED BY: BW	DRAWING NO.: 8234D1
JOB NO.: 8234	SHEET 1 OF 1

OSOA-4

318-1118