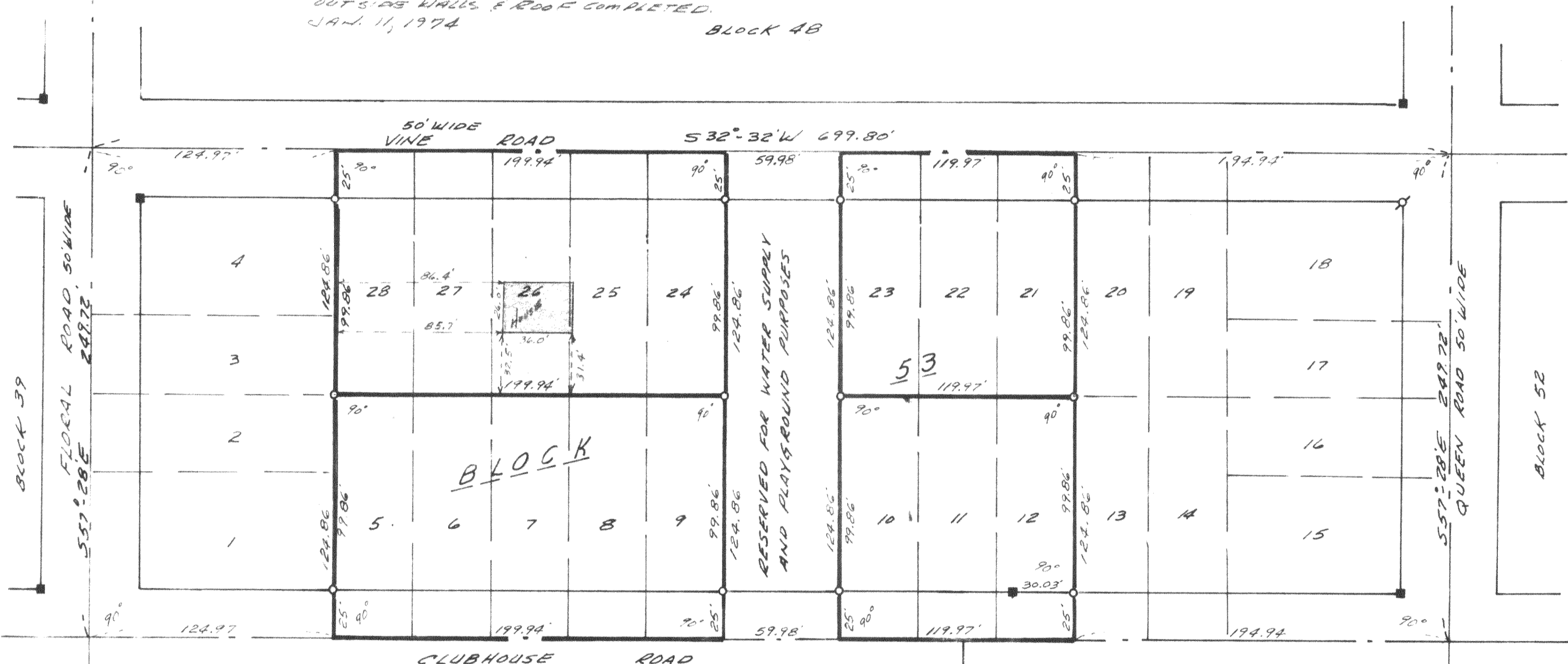
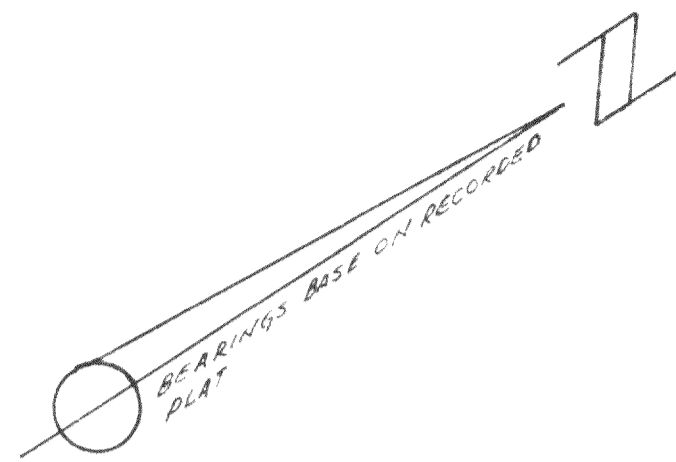


NOTE: HOUSE UNDER CONSTRUCTION ON  
 LOTS 24-28 BASEMENT, FLOOR,  
 OUTSIDE WALLS & ROOF COMPLETED.  
 JAN. 11, 1974

BLOCK 4B



BLOCK 39

FIDEAL ROAD 50' WIDE  
 557°-28'E 249.72'

50' WIDE VINE ROAD

532°-32'W 699.80'

BLOCK

50' WIDE CLUBHOUSE ROAD

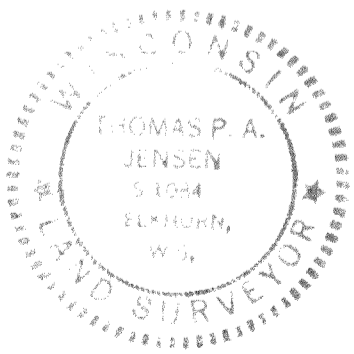
BLOCK 34

WOODLAND ROAD  
 50' WIDE

BLOCK 54

BLOCK 52

557°-28'E 249.72'  
 QUEEN ROAD 50' WIDE



- ~ SQUARE CONCRETE MONUMENT FOUND
  - ⊗ ~ IRON PIPE FOUND
  - ~ IRON PIPE SET, 1 1/2" DIA. 30" LONG
- OWNER - KARL KUDICK  
 RED & ELKHORN, WIS.

I CERTIFY: THAT I HAVE SURVEYED THE ABOVE DESCRIBED  
 PROPERTY AND THAT THE PLAT SHOWN HEREON IS AN ACCURATE  
 SURVEY AND A TRUE REPRESENTATION THEREOF AND  
 CORRECTLY SHOWS THE EXTERIOR BOUNDARY LINES AND  
 ALL DIVISIONS OF SAID PROPERTY.

**PLAT OF SURVEY  
 OF**

LOTS 5, 6, 7, 8, 9, 10, 11, 12, 21, 22, 23, 24, 25, 26, 27 & 28 OF  
 BLOCK 53, OF THE FOURTH MAP OF INTERLAKEN,  
 LOCATED IN THE EAST 1/2 OF SECTION 11, T3N R16E,  
 WALWORTH COUNTY, WISCONSIN.

*Thomas P. A. Jensen*  
 SURVEYOR

SCALE 1" = 50'

DATE NOV. 30, 1973