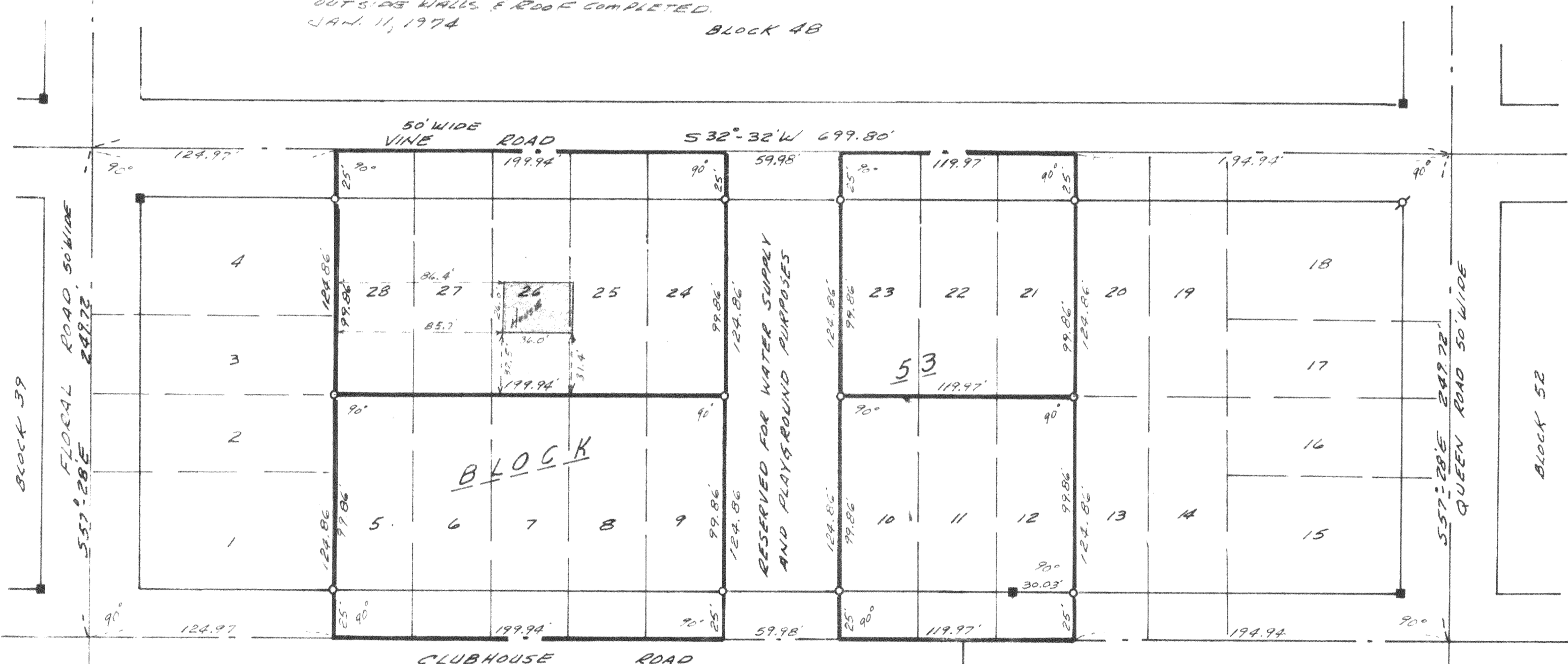
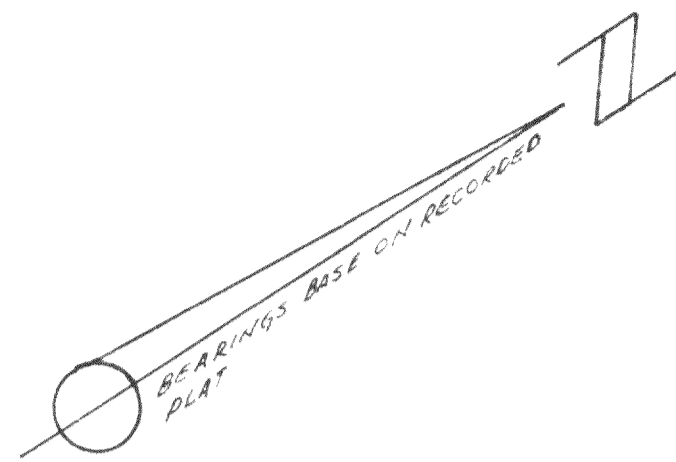


NOTE: HOUSE UNDER CONSTRUCTION ON
 LOTS 24-28 BASEMENT, FLOOR,
 OUTSIDE WALLS & ROOF COMPLETED.
 JAN. 11, 1974

BLOCK 4B



BLOCK 39

FLOREAL ROAD 50' WIDE
 557°-28'E 249.72'

BLOCK

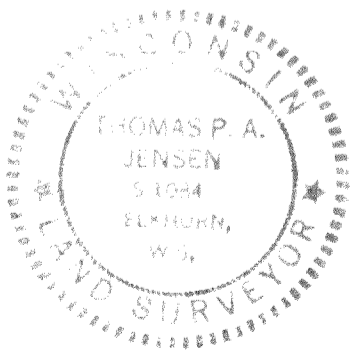
CLUBHOUSE ROAD
 50' WIDE

BLOCK 34

WOODLAND ROAD
 50' WIDE

BLOCK 54

BLOCK 52



- ~ SQUARE CONCRETE MONUMENT FOUND
 - ⊗ ~ IRON PIPE FOUND
 - ~ IRON PIPE SET, 1 1/2" DIA. 30" LONG
- OWNER - KARL KUDICK
 RED & ELKHORN, WIS.

I CERTIFY: THAT I HAVE SURVEYED THE ABOVE DESCRIBED
 PROPERTY AND THAT THE PLAT SHOWN HEREON IS AN ACCURATE
 SURVEY AND A TRUE REPRESENTATION THEREOF AND
 CORRECTLY SHOWS THE EXTERIOR BOUNDARY LINES AND
 ALL DIVISIONS OF SAID PROPERTY.

**PLAT OF SURVEY
 OF**

LOTS 5, 6, 7, 8, 9, 10, 11, 12, 21, 22, 23, 24, 25, 26, 27 & 28 OF
 BLOCK 53, OF THE FOURTH MAP OF INTERLAKEN,
 LOCATED IN THE EAST 1/2 OF SECTION 11, T3N R16E,
 WALWORTH COUNTY, WISCONSIN.

Thomas P. A. Jensen
 SURVEYOR

SCALE 1" = 50'

DATE NOV. 30, 1973