

# Plat of Survey

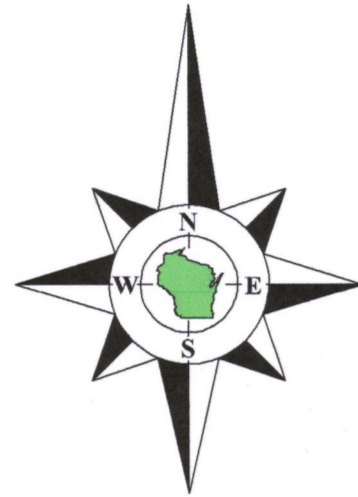
of

## Lot 3 of Certified Survey Map No. 2648,

recorded in Vol. 13 of Certified Survey Maps of Walworth County on Page 216 and located in Government Lot 7 in the Southeast 1/4 of Section 9, Town 3 North, Range 15 East, Town of Richmond, Walworth County, Wisconsin.

Surveyed for: **Daniel & Rachel DePorter**

N6651 Lake Lorraine Road  
Delavan, Wisconsin. 53115



Bearings referenced to the Northwesterly line of Lot 3, recorded as N59°28'03"E on Certified Survey Map No. 2648.

Skansen Swedish Tribune News Subdivision	Lot 53
	Lot 52
	Lot 51
	Lot 50
	Lot 49
	Lot 48

Lot 2  
C.S.M. 2648

recorded as (N59°28'03"E 920.84')  
**N59°28'03"E 920.81'**

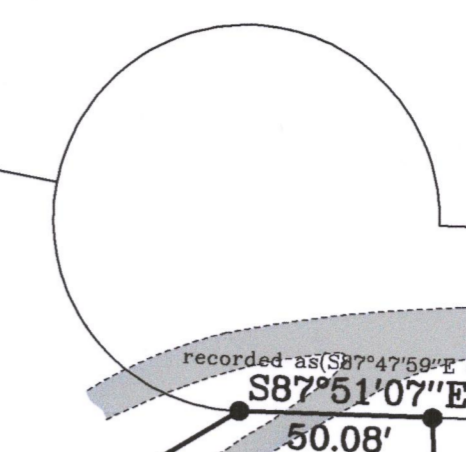
**Lot 3  
Tax Parcel  
CA264800003**  
5.166 Acres  
225,028 Sq.Ft.

Tax Parcel  
CR 900009B

Lot 1  
C.S.M. 2648

Outlot 1  
C.S.M. 2648

Lot 1  
C.S.M. 2248



**(N87°42'16"W 851.46')**

**(S0°52'13"E 500.05')**

**Note:**  
The location of paved surfaces shown on this plat are approximate due to existing snow cover on the property at the time of the field survey.

**Notes:**

- This Plat of Survey is not certified unless signed and sealed in red ink.
- This survey is subject to Wisconsin lien laws. This Plat of Survey is the notice of intent to file lien. Lien waiver required.
- The Survey Date shown on this Plat of Survey is the completion date of the field work.

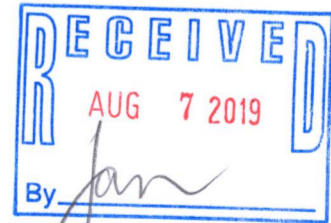
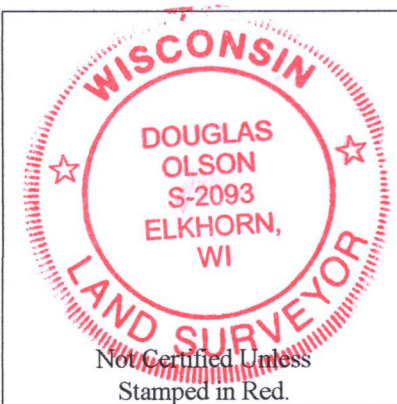
Copyright ©2019 by Olson Land Surveying, LLC.

All rights reserved. No part of this survey plat may be reproduced or transmitted in any form by any means - graphic, electronic, or mechanical, including photocopying, tracing, or information storage and retrieval systems - without permission in writing from Douglas G. Olson, Olson Land Surveying, LLC.

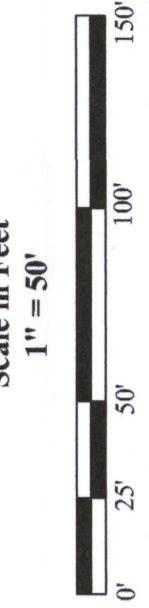
I hereby certify that I have surveyed the above described property in compliance with Chapter A-E 7 of the Wisconsin Administrative Code and that the map hereon is correct to the best of my professional knowledge and belief and shows the size and location of the property, its exterior boundaries, the location and dimensions of all visible structures thereon, boundary fences, apparent easements and roadways and visible encroachments, if any.

This survey is made for the exclusive use of the present owners of the property, and also those who purchase, mortgage or guarantee title thereto, within one year from the date hereof.

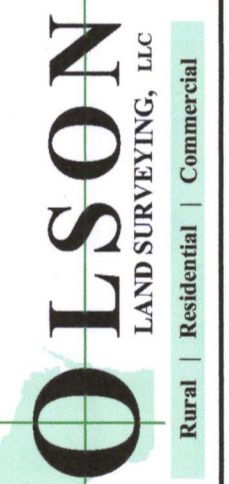
Douglas G. Olson  
Wisconsin Professional Land Surveyor - 2093



Survey Date: February 11, 2019.  
Revisions:



45 South Wisconsin Street | P.O. Box 322  
Elkhorn, Wisconsin. 53121  
Telephone: (262) 723-3434  
Facsimile: (262) 723-8044  
Email: doug@olsonsurveying.com  
Website: www.olsonsurveying.com



**Legend of Symbols & Abbreviations**

N	North
S	South
E	East
W	West
In	In Degrees
..	.. Seconds
In	In Feet
..	.. Feet

○	Found Iron Pipe
○	Found Iron Rebar
○	Recorded Information
○	Utility Box or Pedestal
○	Concrete Cover
○	Septic Vent
○	Asphalt Surface
○	Concrete Surface

Sheet 1 of 1 Sheets  
Drawing Name:  
Job Reference Number  
**2019-010**

2019.010

CA2648-3 315-1353