

ABERNATHY and ASSOCIATES

Kenneth B. Abernathy Jr.

Wisconsin Registered Land Surveyor S-1594

**W4056 BRAY RD.
ELKHORN, WI. 53121**
PHONE: (262) 723-4260 (OFFICE)
(262) 723-7209 (FAX)
Email: abernathy@elknet.net

Owner: Jim Sourek
W3127 Geneva Bay Drive
Lake Geneva, Wi. 53147

PLAT OF SURVEY

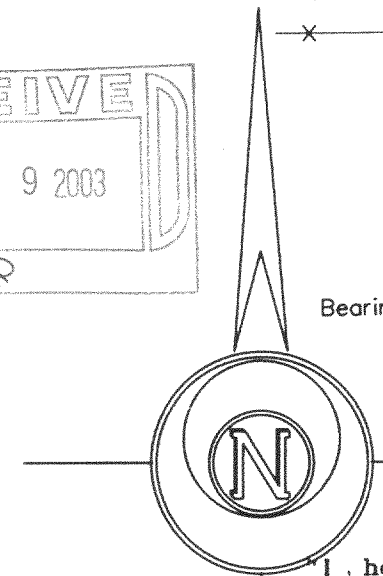
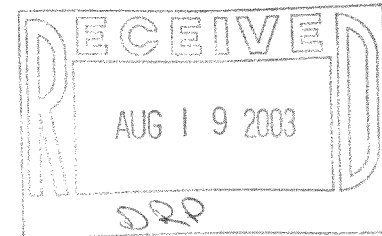
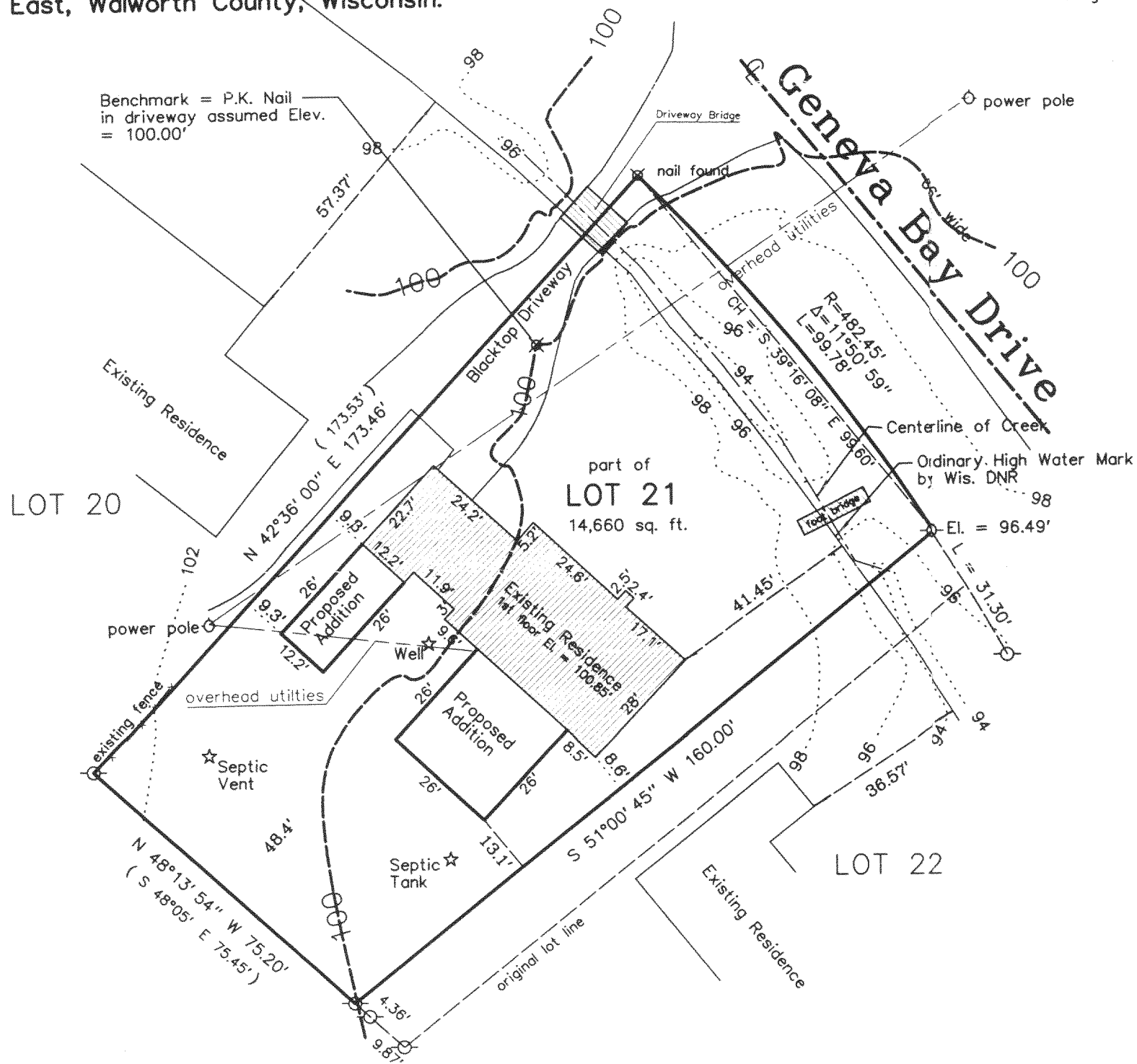
Lot 21, Block 1, excepting therefrom the easterly 14 feet, of Geneva Bay Estates, located in the Southeast 1/4 of the Southwest 1/4 of Section 35, Town 2 North, Range 17 East, Walworth County, Wisconsin.

AVERAGE DRAINAGE DITCH SETBACK

Lot 20 = 57.37'
Lot 22 = 36.57'
Average = 46.97'

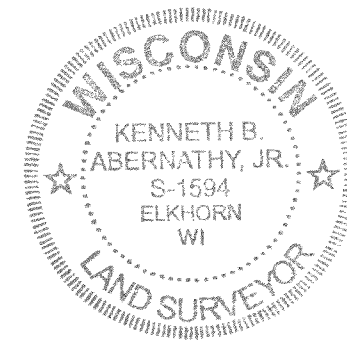
Legend

- FOUND IRON PIPE
- FOUND IRON ROD
- ⊠ FOUND BRASS CAPPED MONUMENT
- FOUND CONCRETE MONUMENT
- + CHISEL CUT IN CONCRETE
- SET IRON ROD, 24" LONG, WEIGHING 1.5 LBS./LINEAL FT., 3/4" DIA.
- SET IRON ROD, 30" LONG, WEIGHING 4.5 LBS./LINEAL FT., 1-11/16" DIA.
- (x x) RECORDED AS DIMENSION
- x — EXISTING FENCE



Bearings are based on Platted North

SCALE: 1" = 30 FEET



"I hereby certify that the above described property has been surveyed by me or under my direction and that the above map is a true representation thereof and shows the size and location of the property, its exterior boundaries, the location of all visible structures and dimensions of all principal buildings thereon, boundary fences, apparent easements, roadways and visible encroachments, if any."
"This survey is made for the use of the present owners of the property, and also those who purchase, mortgage, or guarantee the title thereto within one year from the date hereof."

Kenneth B. Abernathy, Jr.

**KENNETH B. ABERNATHY, JR.
WISCONSIN REGISTERED LAND SURVEYOR,
S-1594**

Date: April 8, 2003 Job No. 03.309