

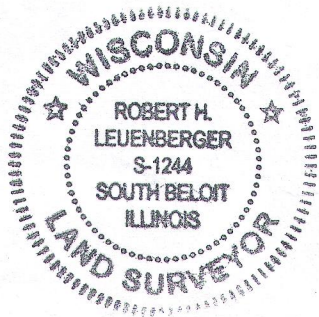
Robert H. Leuenberger

Robert H. Leuenberger, P.L.S.
Wisconsin Professional Land Surveyor S-1244

State of Wisconsin }
County of Rock } ss

If the surveyor's signature is not red in color,
the plan is a copy that should be assumed to
contain unauthorized alterations.
The certification contained on this document
shall not apply to any copies.

I hereby certify that I have supervised the survey of the property
described above and to the best of my knowledge and belief, the plat
drawn hereon correctly represents said survey and its location.
Given under my hand and seal this 9th day of September, 2015 at
Beloit, Wisconsin.
Last day of field work September 3, 2015



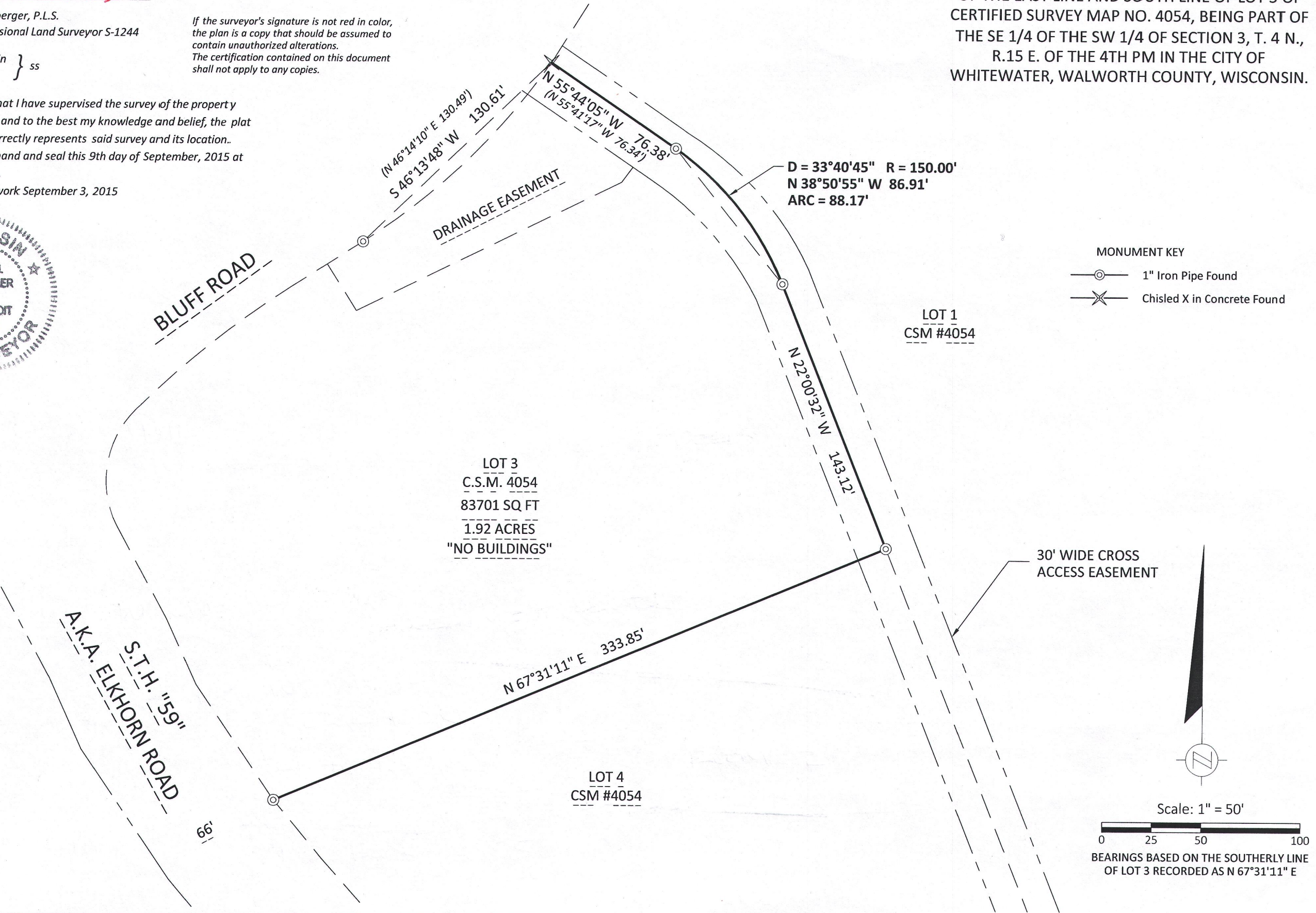
PLAT OF SURVEY
OF THE EAST LINE AND SOUTH LINE OF LOT 3 OF
CERTIFIED SURVEY MAP NO. 4054, BEING PART OF
THE SE 1/4 OF THE SW 1/4 OF SECTION 3, T. 4 N.,
R.15 E. OF THE 4TH PM IN THE CITY OF
WHITEWATER, WALWORTH COUNTY, WISCONSIN.



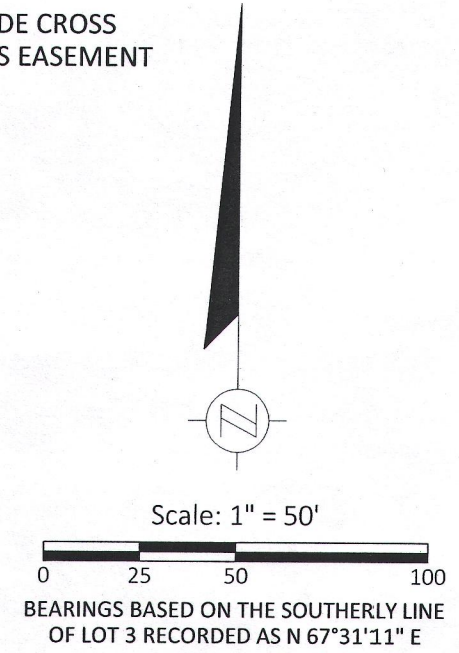
PLAT OF SURVEY

FOR THE EXCLUSIVE USE OF:
KWIK TRIP INC.
1626 OAK STREET
LACROSSE, WI 54601
File Name: J:\32200-32299\32257 Kwik Trip\SURVEY\HBB DRAWING FILES

ORDER NO: 32257
BOOK: SEE FILE
FIELD CREW: DGM, WCU
DRAWN BY: WCU
DATE: September 9, 2015



MONUMENT KEY
 ○ 1" Iron Pipe Found
 ✕ Chisled X in Concrete Found



A4054-3 010-977