

PLAT OF SURVEY
-OF-

LOT J22 OF COUNTRY CLUB ESTATES, ADDITION "J", A SUBDIVISION LOCATED IN OUTLOTS 101, 102 & 103 OF THE ASSESSOR'S PLAT OF THE VILLAGE OF FONTANA ON GENEVA LAKE IN THE SOUTHWEST 1/4 OF SECTION 14 & THE NORTHWEST 1/4 OF SECTION 23 & THE NORTHEAST 1/4 OF SECTION 22, ALL IN TOWNSHIP 1 NORTH, RANGE 16 EAST OF THE FOURTH PRINCIPAL MERIDIAN, IN THE VILLAGE OF FONTANA ON GENEVA LAKE, COUNTY OF WALWORTH AND STATE OF WISCONSIN.

SURVEY FOR: KATHY BAUMBACH OF SHOREWEST REALTORS
SURVEY ADDRESS: 906 TARRANT DRIVE, FONTANA, WI 53115

BEARINGS HEREON RELATE TO THE SOUTH LINE OF LOT J22 OF COUNTRY CLUB ESTATES ADDITION "J". ASSUMED BEARING OF NORTH 66°10'02" WEST TO ORIENTATE WITH A PREVIOUS SURVEY BY ABELL SURVEYING & MAPPING DATED JULY 25, 2005.

- LEGEND**
- ⊙ FOUND 2-3/8" O.D. IRON PIPE
 - FOUND 1-5/16" O.D. IRON PIPE
 - () RECORDED AS

NOTE: THE RECORDED PLAT NOTES "UTILITY EASEMENT ALL LOTS-6' WIDE ALL REAR AND SIDE LOT LINES".

Note: There are additional upper level decks which could not be located due to adverse conditions created by very steep slopes and high deck heights.

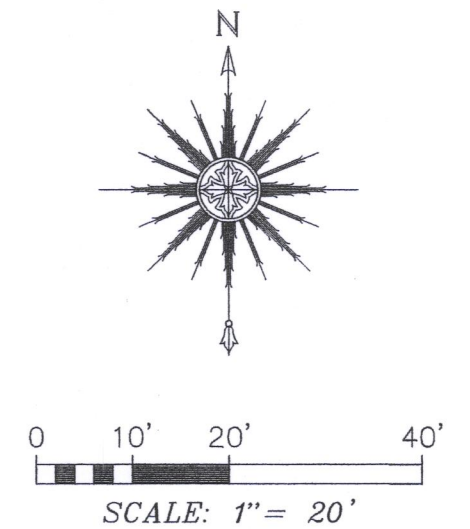
LOT J22
0.39 acres

"I HEREBY CERTIFY THAT I HAVE SURVEYED THE ABOVE DESCRIBED PROPERTY AND THAT THE ABOVE MAP IS A CORRECT REPRESENTATION THEREOF AND SHOWS THE SIZE AND LOCATION OF THE PROPERTY, ITS EXTERIOR BOUNDARIES, THE LOCATION OF ALL VISIBLE STRUCTURES AND DIMENSIONS OF ALL PRINCIPAL BUILDINGS THEREON, BOUNDARY FENCES, APPARENT EASEMENTS, ROADWAYS AND ENCROACHMENTS, IF ANY."

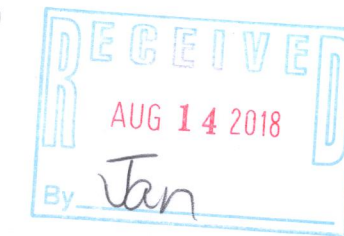
"THIS SURVEY IS MADE FOR THE USE OF THE PRESENT OWNERS OF THE PROPERTY, AND THOSE WHO PURCHASE, MORTGAGE, OR GUARANTEE THE TITLE THERETO WITHIN ONE YEAR FROM DATE HEREOF."

SATTER SURVEYING, LLC
LAND SURVEYS, MAPPING AND PLANNING
272 ORIGEN STREET
BURLINGTON, WI 53105
262-661-4239

NOTE: REFER TO A CURRENT TITLE REPORT FOR EASEMENTS, RESTRICTIONS OR COVENANTS WHICH MAY AFFECT THIS PROPERTY.



THIS IS NOT AN ORIGINAL PRINT UNLESS THIS SEAL IS RED.



Thomas L. Satter
THOMAS L. SATTER S-2850

SEPTEMBER 12, 2018 DATE 071818 JOB NUMBER

SCTJ-22 005-3428