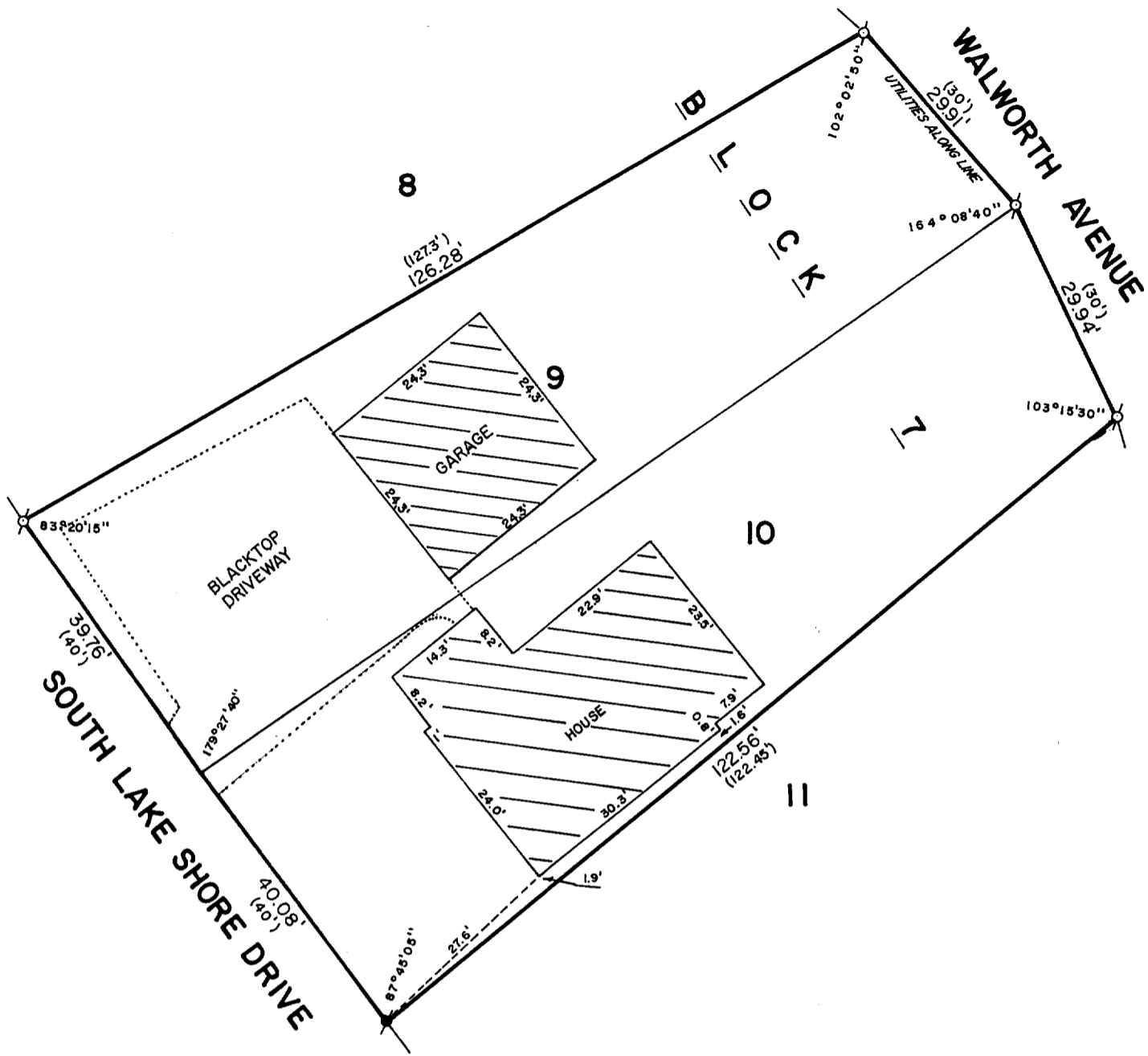
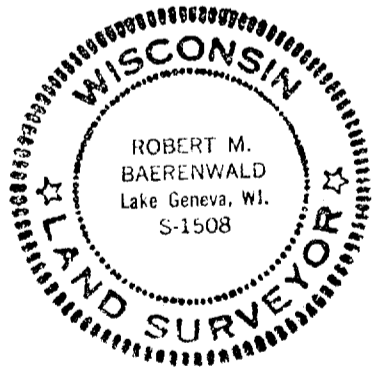


WALWORTH COUNTY  
SURVEYING & MAPPING  
LAKE GENEVA, WISCONSIN

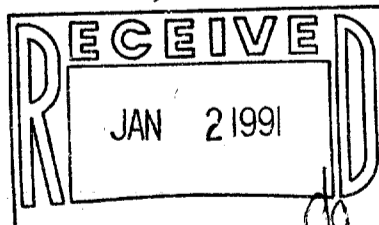


PLAT OF SURVEY OF

LOTS 9 AND 10, BLOCK 7 OF GLENWOOD  
SPRINGS SUBDIVISION, LOCATED IN THE  
VILLAGE OF FONTANA-ON-GENEVA LAKE,  
WALWORTH COUNTY, WISCONSIN.



RECERTIFIED: NOV. 16, 1989  
FOR: KEEFE REAL ESTATE  
704 MAIN STREET  
LAKE GENEVA, WISCONSIN



SCALE: 1"=20'

- ⊘ - IRON PIPE FOUND
- - CONCRETE MONUMENT FOUND
- ( ) - RECORDED AS

I HEREBY CERTIFY THAT I HAVE SURVEYED THE ABOVE DESCRIBED PROPERTY AND THAT THE ABOVE MAP IS A TRUE REPRESENTATION THEREOF AND SHOWS THE SIZE AND LOCATION OF THE PROPERTY, ITS EXTERIOR BOUNDARIES, THE LOCATION OF ALL VISIBLE STRUCTURES AND DIMENSIONS OF ALL PRINCIPAL BUILDINGS THEREON, BOUNDARY FENCES, APPARENT EASEMENTS AND ROADWAYS AND VISIBLE ENCROACHMENTS, IF ANY, TO THE BEST OF MY KNOWLEDGE AND BELIEF.

THIS SURVEY IS MADE FOR THE USE OF THE PRESENT OWNERS OF THE PROPERTY AND ALSO THOSE WHO PURCHASE, MORTGAGE OR GUARANTEE THE TITLE THERETO WITHIN ONE (1) YEAR FROM DATE HEREOF.

*Robert M. Baerenwald*  
ROBERT M. BAERENWALD  
WISCONSIN REGISTERED LAND SURVEYOR, S-1508

DATE June 23, 1986 JOB NO. 0592

SGS 00029  
SGS 00030

005-1041