

PLAT OF SURVEY

-OF-

THE NORTH 200 FEET, EXCEPT THE WEST 33 FEET OF OUTLOT 13, ASSESSOR'S PLAT NO. 1, VILLAGE OF FONTANA-ON-GENEVA LAKE, WALWORTH COUNTY, WISCONSIN.

ALSO A RIGHT OF WAY OVER THE FOLLOWING DESCRIBED PARCEL OF LAND LOCATED IN OUTLOT NO. 13 OF THE VILLAGE OF FONTANA-ON-GENEVA LAKE, DESCRIBED AS FOLLOWS, TO-WIT: BEGINNING AT THE NORTHWEST CORNER OF SAID OUTLOT, WHICH POINT IS ALSO THE NORTHWEST CORNER OF SECTION 14, TOWN 1 NORTH, RANGE 16 EAST; THENCE SOUTH 89°59' EAST ALONG THE NORTH LINE OF SAID OUTLOT 272.19 FEET; THENCE SOUTH 10 FEET; THENCE NORTH 89°59' WEST 272.19 FEET TO THE WEST LINE OF SAID OUTLOT; THENCE NORTH 10 FEET TO THE PLACE OF BEGINNING.

ALSO A RIGHT OF WAY OVER THE FOLLOWING DESCRIBED PARCEL OF LAND LOCATED IN OUTLOT NO. 13 OF THE VILLAGE OF FONTANA-ON-GENEVA LAKE, DESCRIBED AS FOLLOWS, TO-WIT: BEGINNING AT A POINT THAT IS LOCATED 10 FEET SOUTH OF THE NORTHWEST CORNER OF OUTLOT NO. 13; THENCE SOUTH 89°59' EAST, 33 FEET; THENCE SOUTH 190 FEET; THENCE NORTH 89°59' WEST, 33 FEET TO THE WEST LINE OF SAID OUTLOT; THENCE NORTH 190 FEET TO THE PLACE OF BEGINNING.

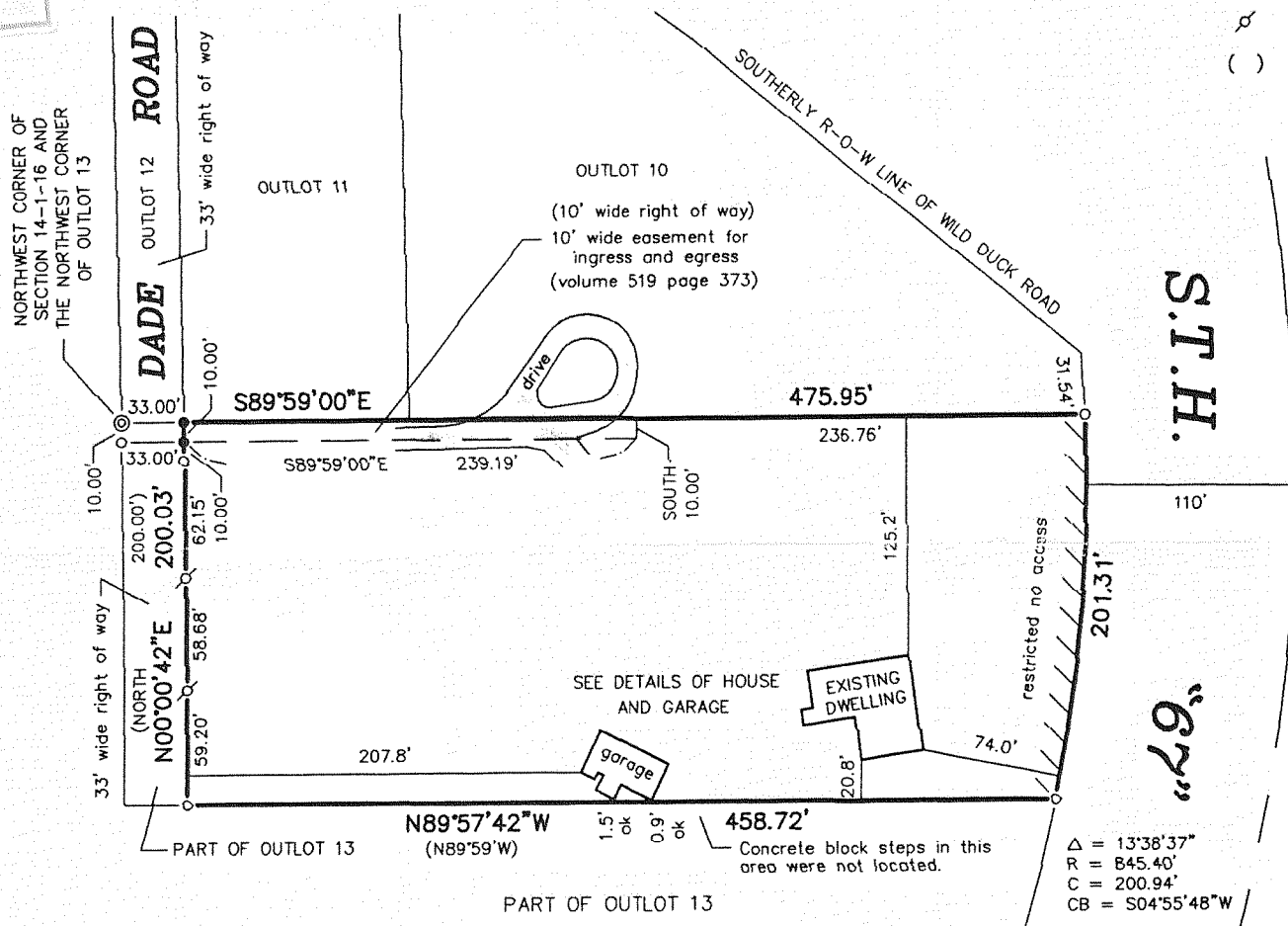
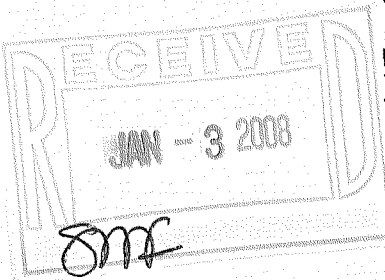
ALSO A RIGHT OF WAY 33 FEET IN WIDTH ALONG THE EAST SIDE OF SECTION 11, TOWN 1 NORTH, RANGE 16 EAST, AND BEING LOCATED IN A PARCEL OF LAND KNOWN AS OUTLOT NO. 12 OF THE VILLAGE OF FONTANA-ON-GENEVA LAKE.

SURVEY FOR: MARK ROBINSON SURVEY LOCATION: 218 DADE ROAD

NOTE: IMPROVEMENTS AND MONUMENTATION ON S.T.H. "67" PER PREVIOUS SURVEY BY THIS OFFICE DATED AUGUST 9, 2002. THIS OFFICE ONLY VERIFIED THE WEST LINE OF THIS PROPERTY AS PART OF THIS UPDATED SURVEY.

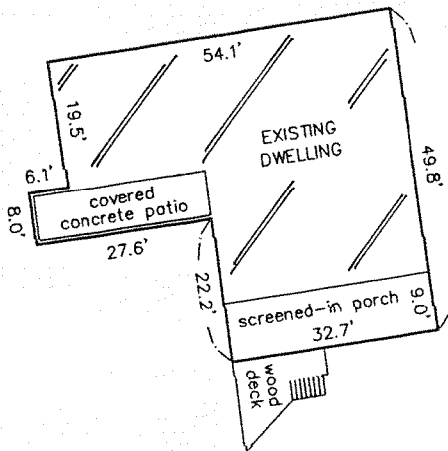
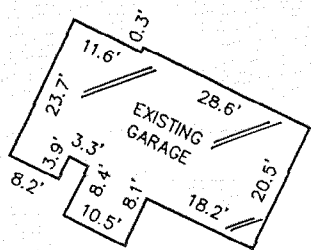
LEGEND

- ⊙ FOUND IRON PIPE IN CONCRETE
- FOUND IRON PIPE
- FOUND RAILROAD SPIKE
- ♂ SET IRON PIPE
- ( ) RECORDED AS



DETAIL

SCALE: 1" = 30'



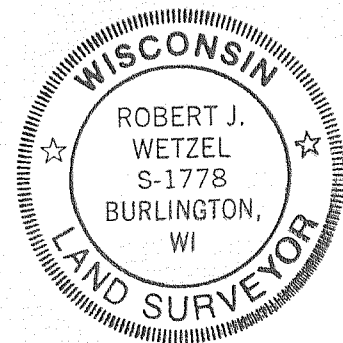
BEARINGS HEREON RELATE TO THE NORTH LINE OF OUTLOT 13, VILLAGE OF FONTANA ON GENEVA LAKE. ASSUMED BEARING IS SOUTH 89°59'00" EAST.

"I hereby certify that I have surveyed the above described property and that the above map is a correct representation thereof and shows the size and location of the property, its exterior boundaries, the location of all visible structures and dimensions of all principal buildings thereon, boundary fences, apparent easements, roadways and encroachments, if any."

"This survey is made for the use of the present owners of the property, and those who purchase, mortgage, or guarantee the title thereto within one year from date hereof."

SCALE:

1" = 100'

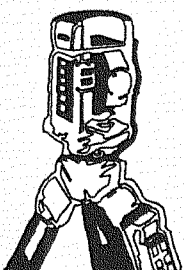


THIS IS NOT AN ORIGINAL PRINT UNLESS THIS SEAL IS RED.

*Robert J. Wetzel*  
ROBERT J. WETZEL S-1778

AUGUST 22, 2007  
DATE

7682  
JOB NUMBER



B.W. SURVEYING, INC.

LAND SURVEYS  
MAPPING AND PLANNING  
412 N. PINE STREET  
BURLINGTON, WI 53105  
(262)-767-0225

STFV-20

005-2539