

# CERTIFIED SURVEYS 2895, 2915

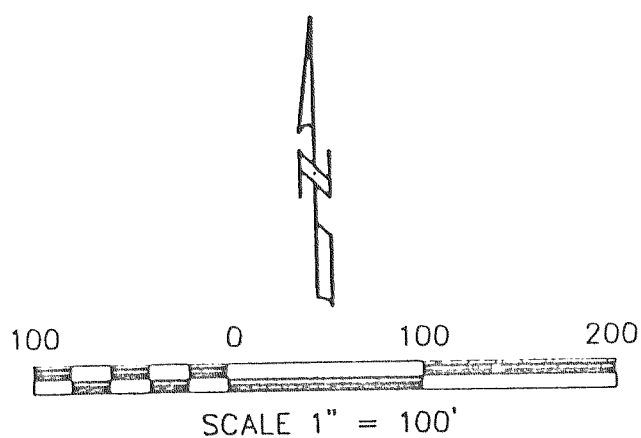
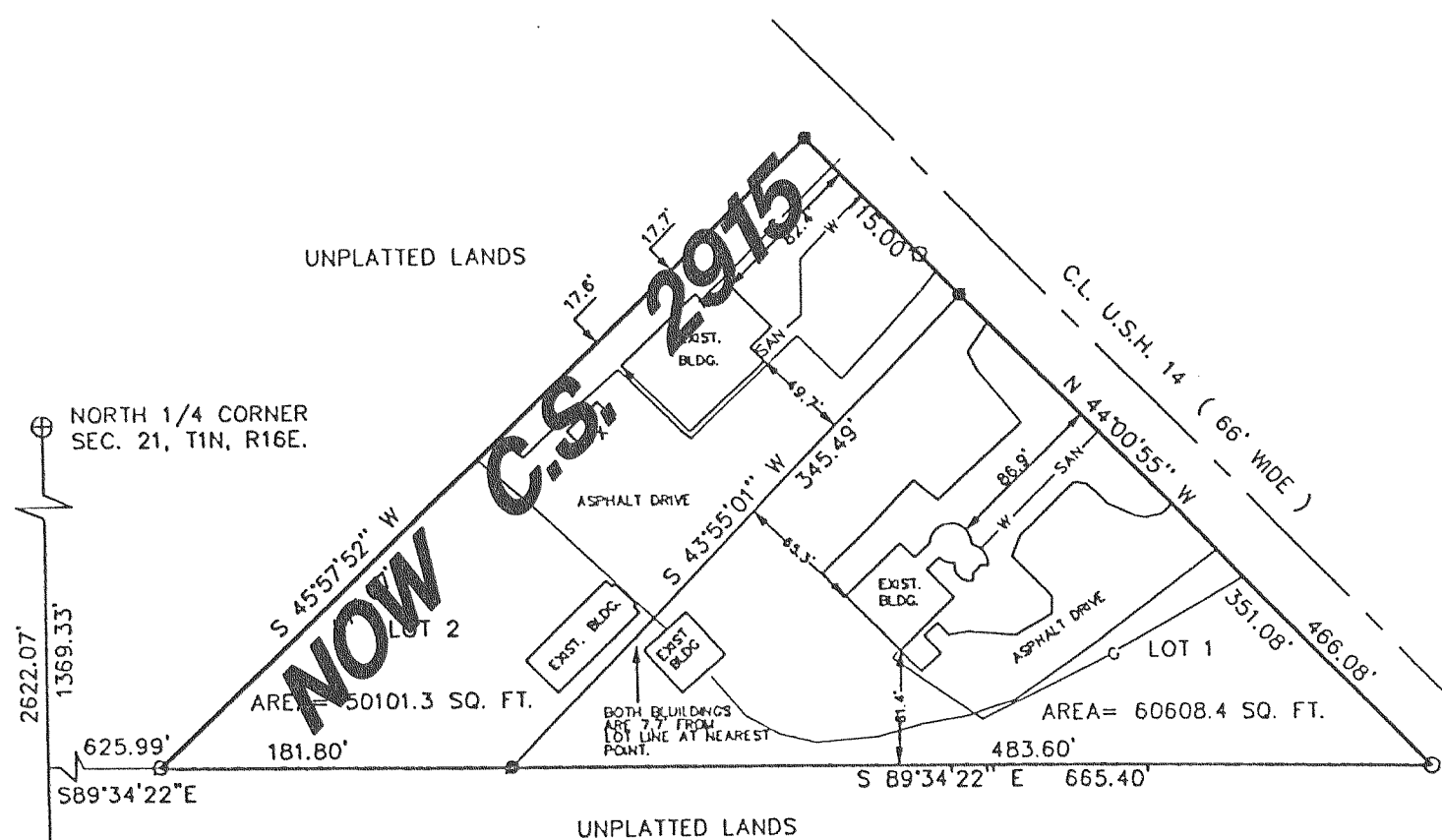
## VILLAGE OF WALWORTH

CERTIFIED SURVEY MAP NO. 2895

A PARCEL OF LAND LOCATED IN THE NORTHEAST 1/4 OF SECTION 21, T1N, R16E, VILLAGE OF WALWORTH, WALWORTH COUNTY WISCONSIN.

- LEGEND**
- FOUND 1 IN. IRON PIPE
  - FOUND 2 IN. IRON PIPE
  - SET 1 IN. IRON PIPE
  - x-x- FENCE

**BEARING REFERENCE**  
NORTH SOUTH 1/4 SECTION LINE  
OF SECTION. 21 TAKEN TO BE  
N00°10'49"E



ZONING B-3  
SOIL TYPE P1A

REVISIONS

CERTIFIED SURVEY MAP NO. 2915

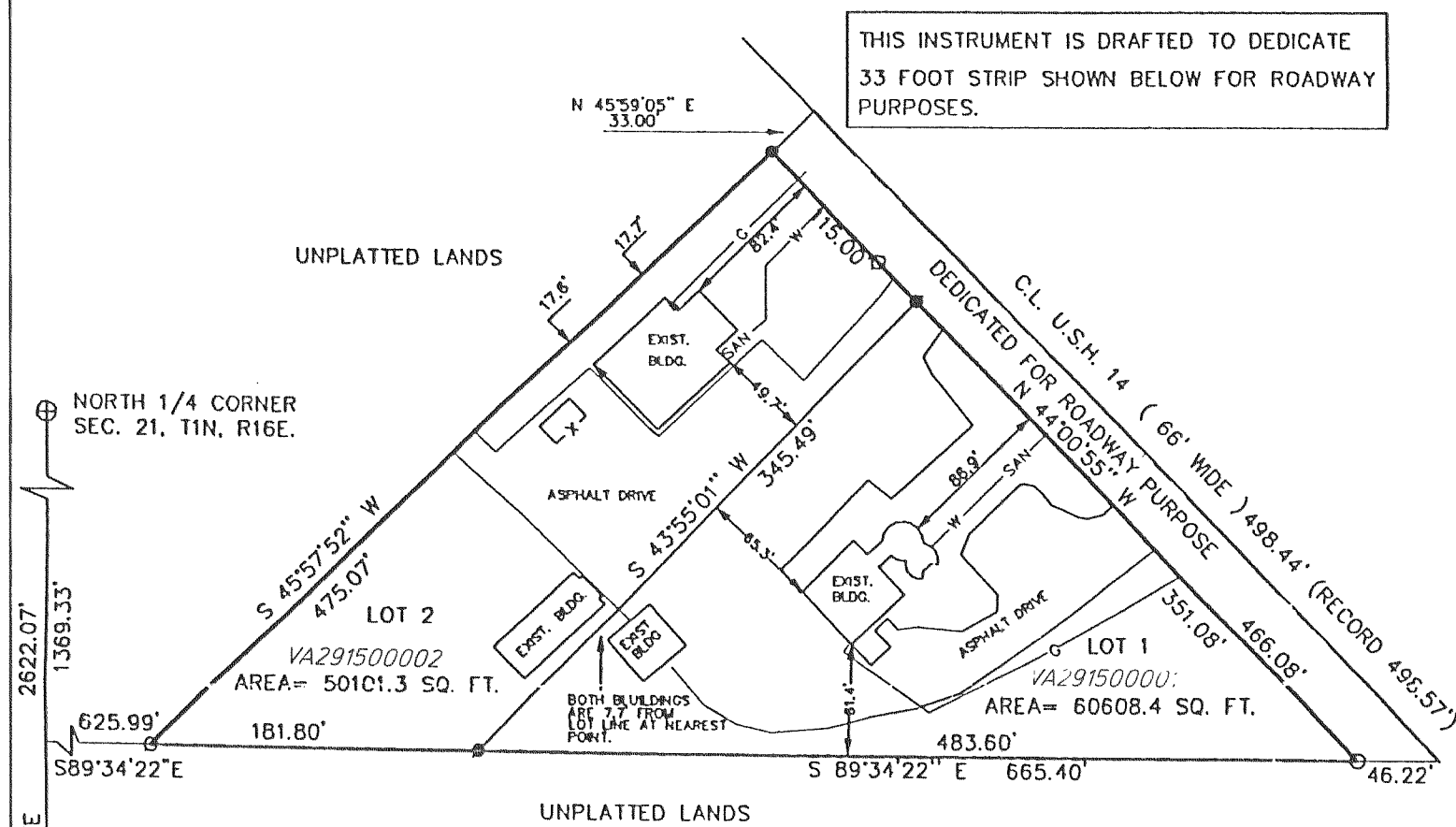
A PARCEL OF LAND LOCATED IN THE NORTHEAST 1/4 OF SECTION 21, T1N, R16E, VILLAGE OF WALWORTH, WALWORTH COUNTY WISCONSIN.

REPLACEMENT CERTIFIED SURVEY MAP FOR CERTIFIED SURVEY MAP NO. 2895

- LEGEND**
- FOUND 1 IN. IRON PIPE
  - FOUND 2 IN. IRON PIPE
  - SET 1 IN. IRON PIPE
  - x-x- FENCE

**BEARING REFERENCE**  
NORTH SOUTH 1/4 SECTION LINE  
OF SECTION. 21 TAKEN TO BE  
N00°10'49"E

THIS INSTRUMENT IS DRAFTED TO DEDICATE  
33 FOOT STRIP SHOWN BELOW FOR ROADWAY  
PURPOSES.



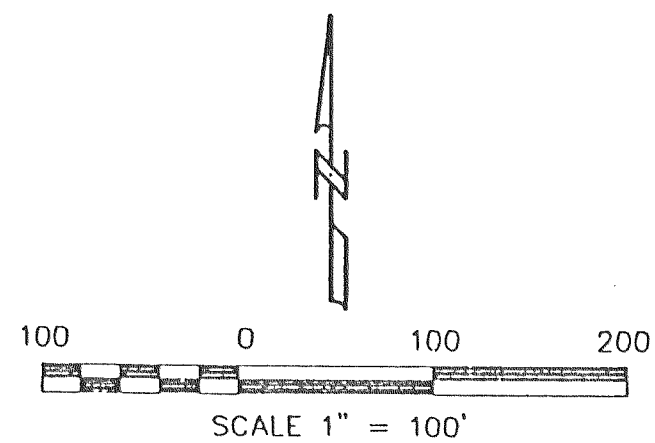
NORTH 1/4 CORNER  
SEC. 21, T1N, R16E.

2622.07'  
1369.33'

625.99'  
S89°34'22"E

N00°10'49"E  
1252.74'

CENTER OF SEC. 21  
T1N, R16E.



ZONING B-3  
SOIL TYPE P1A

REVISIONS