

CERTIFIED SURVEYS 2888, 2889

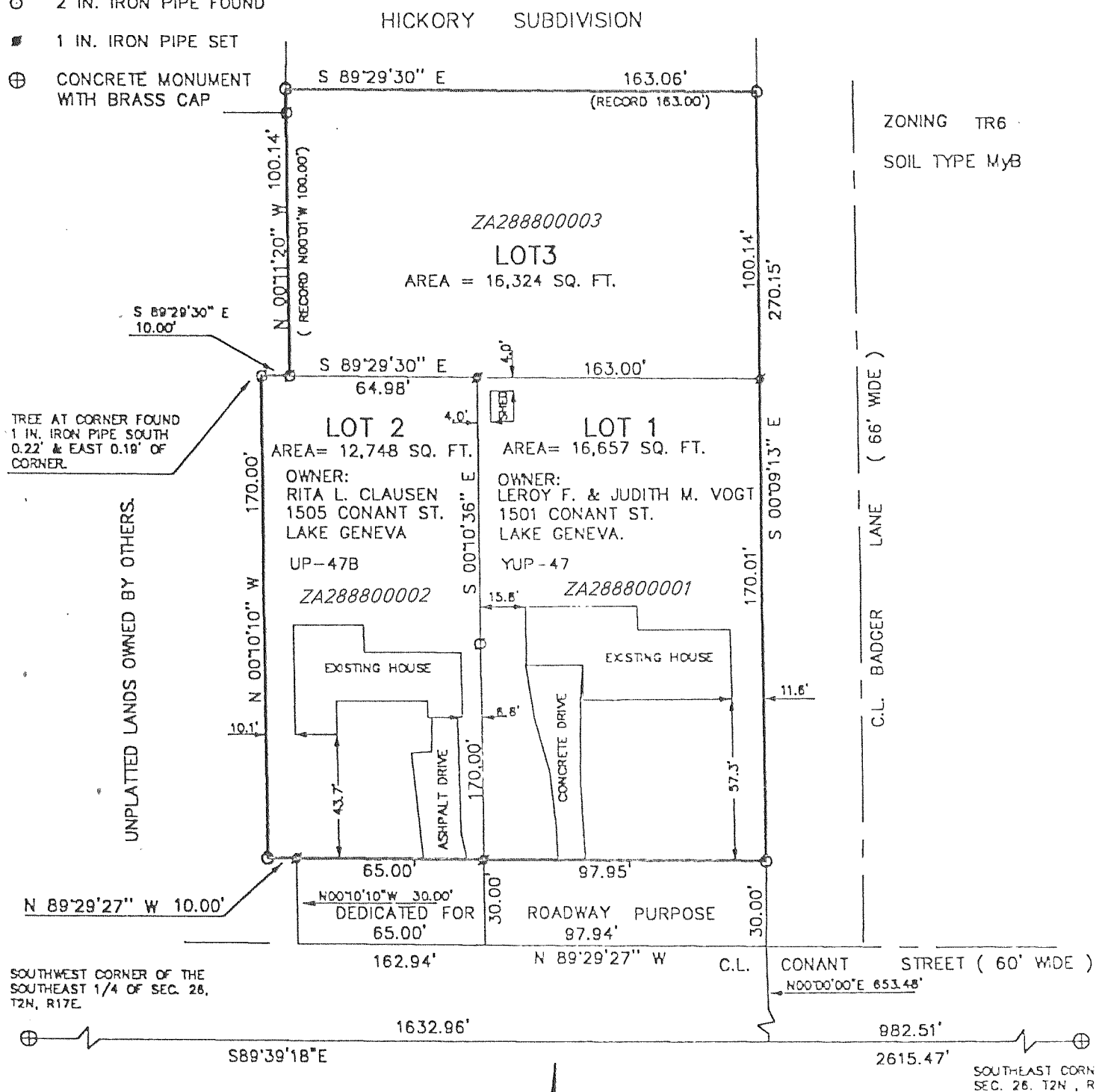
CITY OF LAKE GENEVA

CERTIFIED SURVEY MAP NO. 2888

A PARCEL OF LAND LOCATED IN THE SOUTHEAST 1/4 OF SECTION 26, T 2 N, R 17 E, CITY OF LAKE GENEVA, WALWORTH COUNTY, WISCONSIN.

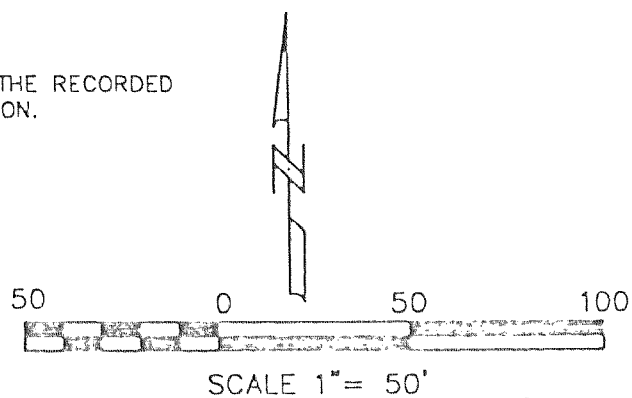
LEGEND

- 1 IN. IRON PIPE FOUND
- 2 IN. IRON PIPE FOUND
- 1 IN. IRON PIPE SET
- ⊕ CONCRETE MONUMENT WITH BRASS CAP

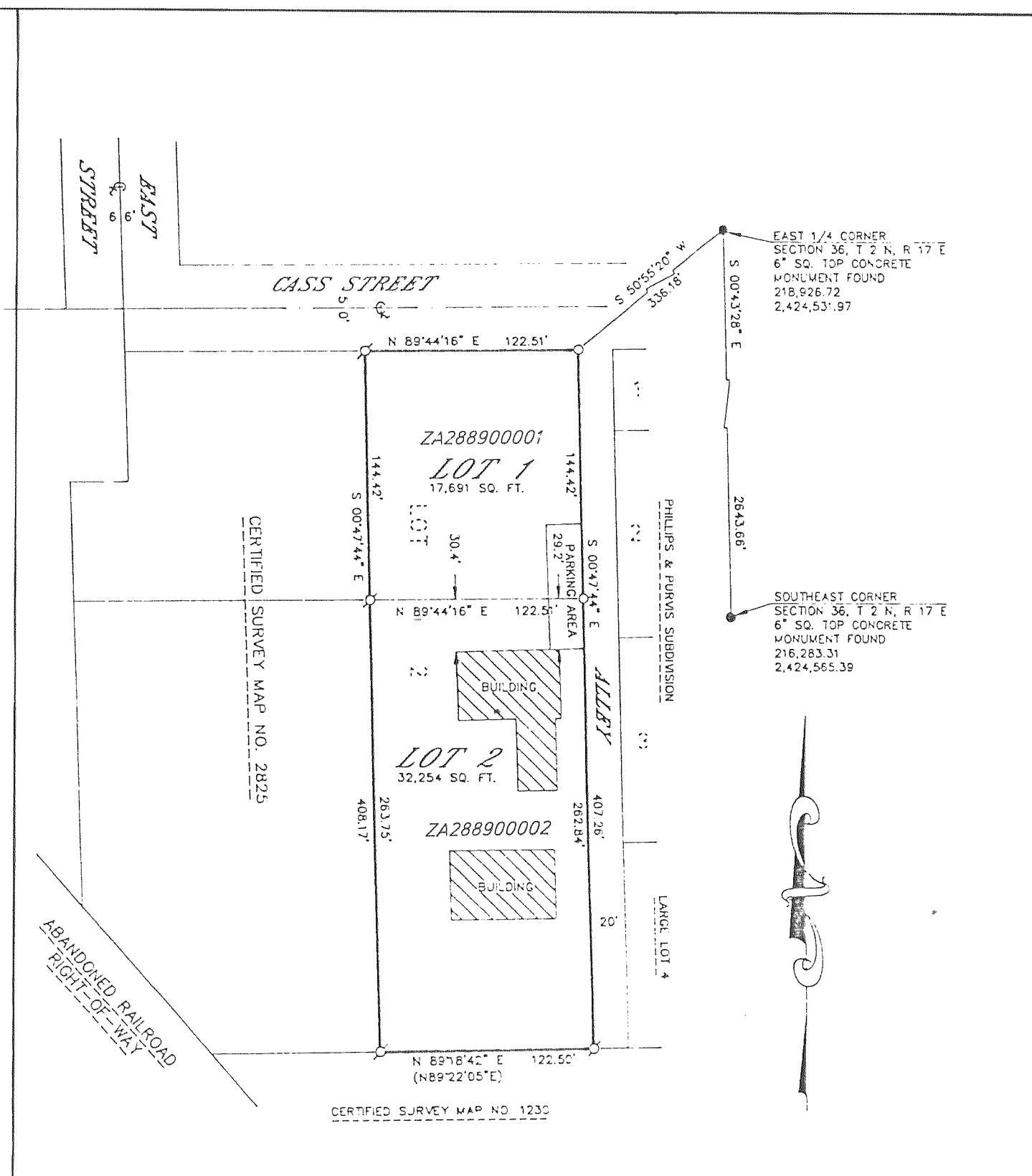


NOTE: BEARINGS REFERENCED TO THE RECORDED PLAT OF HICKORY SUBDIVISION.

PATHFINDER SURVEYING
929 WILLIAMS ST.
LAKE GENEVA W.
53147



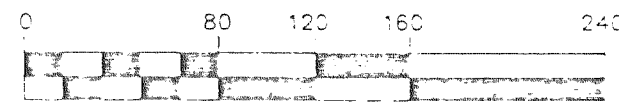
REVISIONS :



CERTIFIED SURVEY MAP NO. 2889

BEING A DIVISION OF LOT 2 OF CERTIFIED SURVEY MAP NO. 2825, LOCATED IN THE NORTHEAST 1/4 OF THE SOUTHEAST 1/4 OF SECTION 36, T 2 N, R 17 E, CITY OF LAKE GENEVA, WALWORTH COUNTY, WISCONSIN.

GRAPHIC SCALE



(IN FEET)

- 1" X 24" IRON PIPE PLACED, MIN. WT. 1.13 LBS./LINEAL FOOT
- 1" DIA. IRON PIPE FOUND
- ()-RECORDED AS

REVISIONS :