

CERTIFIED SURVEYS 2578, 2594

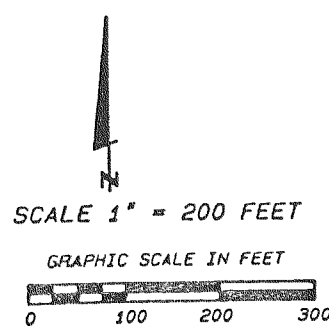
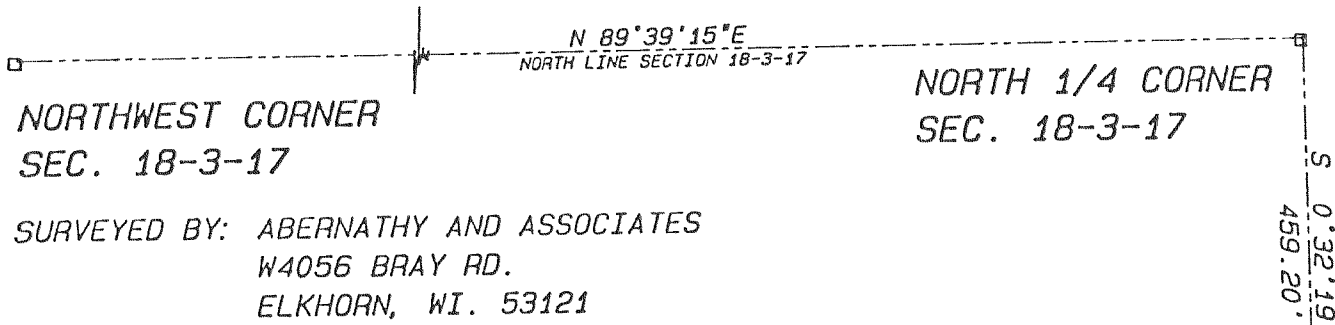
TOWN OF LAFAYETTE

CERTIFIED SURVEY MAP NO. 2578 VOL. 13
 PAGES 59 60 & 61

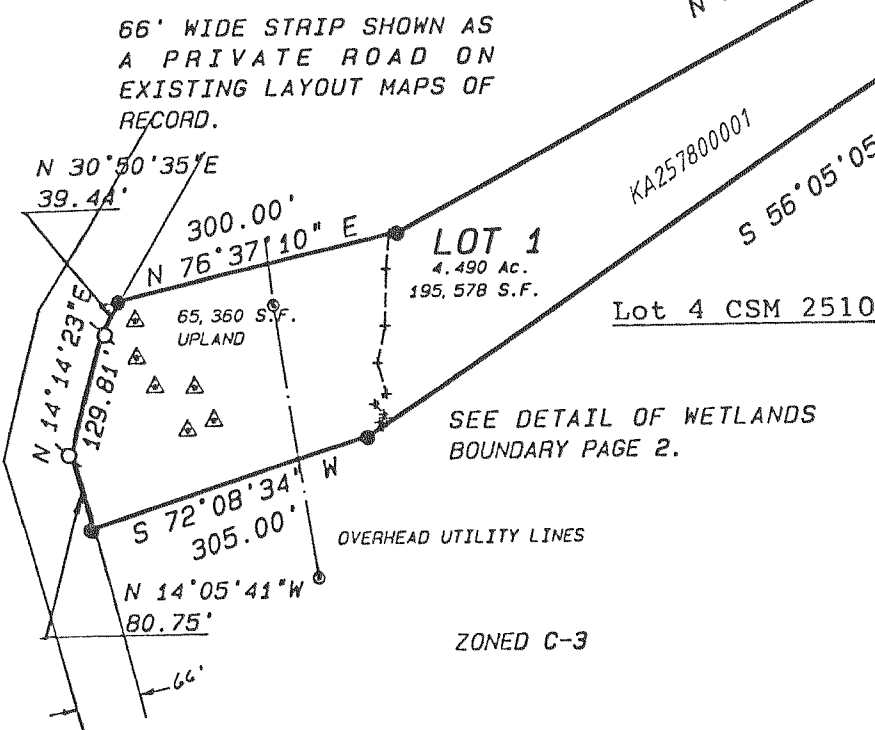
A REPLATTING OF LOT 3 OF CERTIFIED SURVEY MAP NO. 2510 AS RECORDED IN VOL. 12 OF CERTIFIED SURVEY MAPS AS PAGES 248 AND 249 AS DOCUMENT NO. 294354, BEING LOCATED IN THE NORTHWEST, NORTHEAST, SOUTHWEST, AND SOUTHEAST 1/4'S OF THE NORTHWEST 1/4 OF SECTION 18, TOWN 3 NORTH, RANGE 17 EAST, TOWN OF LAFAYETTE, WALWORTH COUNTY, WISCONSIN.

OWNERS: CARL A. SR. AND DOLORES HAJEC
 12970 12th AVE. NORTH
 PLYMOUTH, MINN. 55441

MAPPING DATE 3-12-95
 ZONING: C-3
 SOILS: Mm, Dt, Sm, Ht, C-E2, BpC2



- LEGEND**
- WALWORTH COUNTY SECTION CORNER FOUND
 - FD. IRON ROD 3/4" DIA. 30" LONG, WEIGHING 1.50 lbs./lin. ft.
 - △ SOIL BORING
 - ⊘ Found Iron Pipe

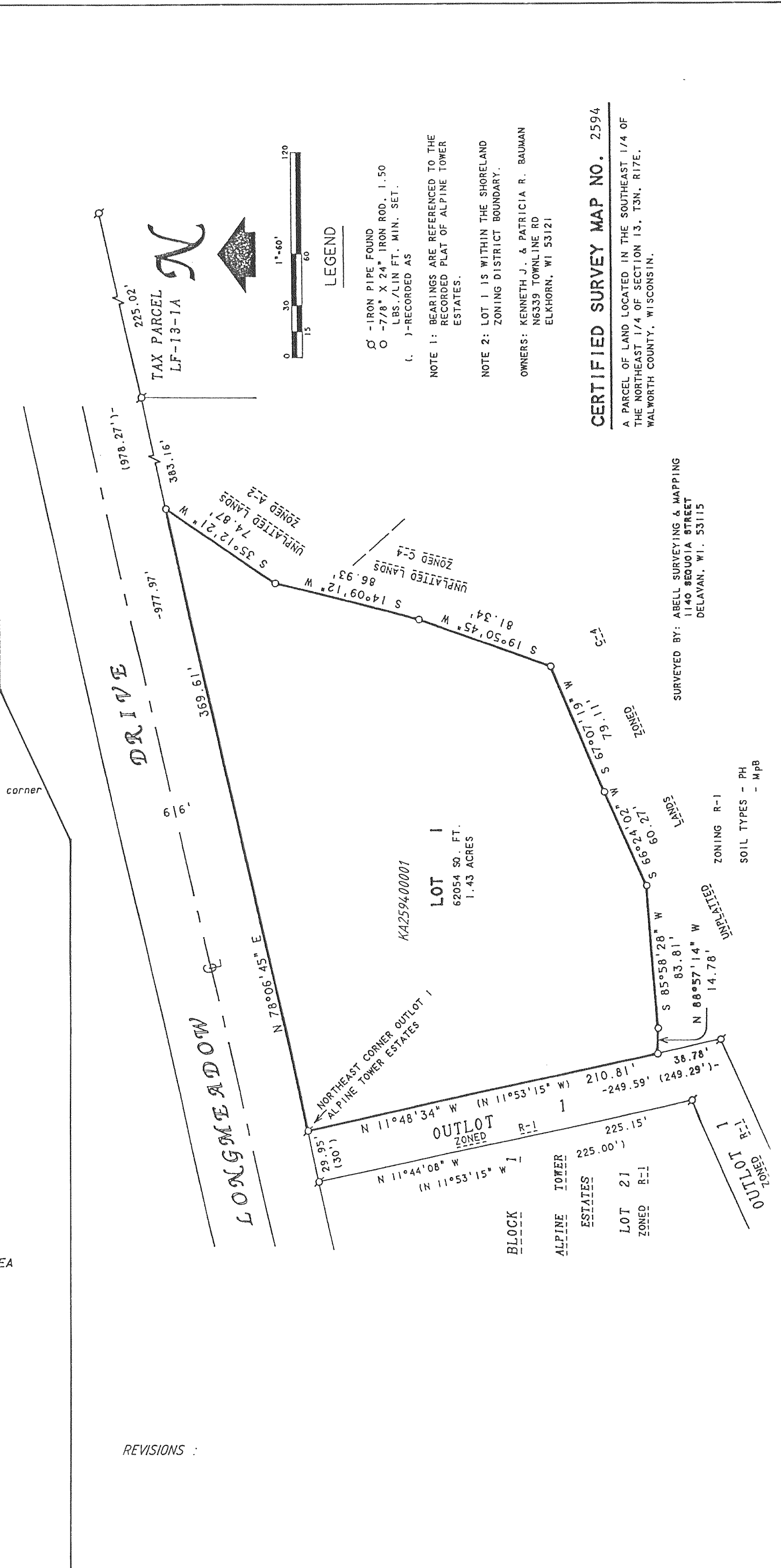


DETAIL OF WETLANDS BOUNDARY

LINE	BEARING	DISTANCE
L1	N 56°04'56" E	17.18
L2	N 33°57'17" W	4.08
L3	N 39°51'48" W	14.31
L4	N 50°35'50" E	16.30
L5	N 14°49'44" W	33.61
L6	N 11°51'45" E	40.20
L7	N 2°17'26" E	59.40
L8	N 4°49'32" E	39.58
L9	N 6°22'43" E	6.01
L10	N 76°37'10" E	12.95

REVISIONS :

MAPPING DATE : 06/08/95



REVISIONS :

LEGEND

- ⊘ - IRON PIPE FOUND
- - 7/8" X 24" IRON ROD, 1.50 LBS./LIN. FT. MIN. SET.
- ⊘ - RECORDED AS

NOTE 1: BEARINGS ARE REFERENCED TO THE RECORDED PLAT OF ALPINE TOWER ESTATES.

NOTE 2: LOT 1 IS WITHIN THE SHORELAND ZONING DISTRICT BOUNDARY.

OWNERS: KENNETH J. & PATRICIA R. BAUMAN
 N6339 TOWNLINE RD
 ELKHORN, WI 53121

CERTIFIED SURVEY MAP NO. 2594

A PARCEL OF LAND LOCATED IN THE SOUTHEAST 1/4 OF THE NORTHEAST 1/4 OF SECTION 13, T3N, R17E, WALWORTH COUNTY, WISCONSIN.

SURVEYED BY: ABELL SURVEYING & MAPPING
 1140 EQUUIA STREET
 DELAVAN, WI. 53115

SOIL TYPES - PH - Mpb