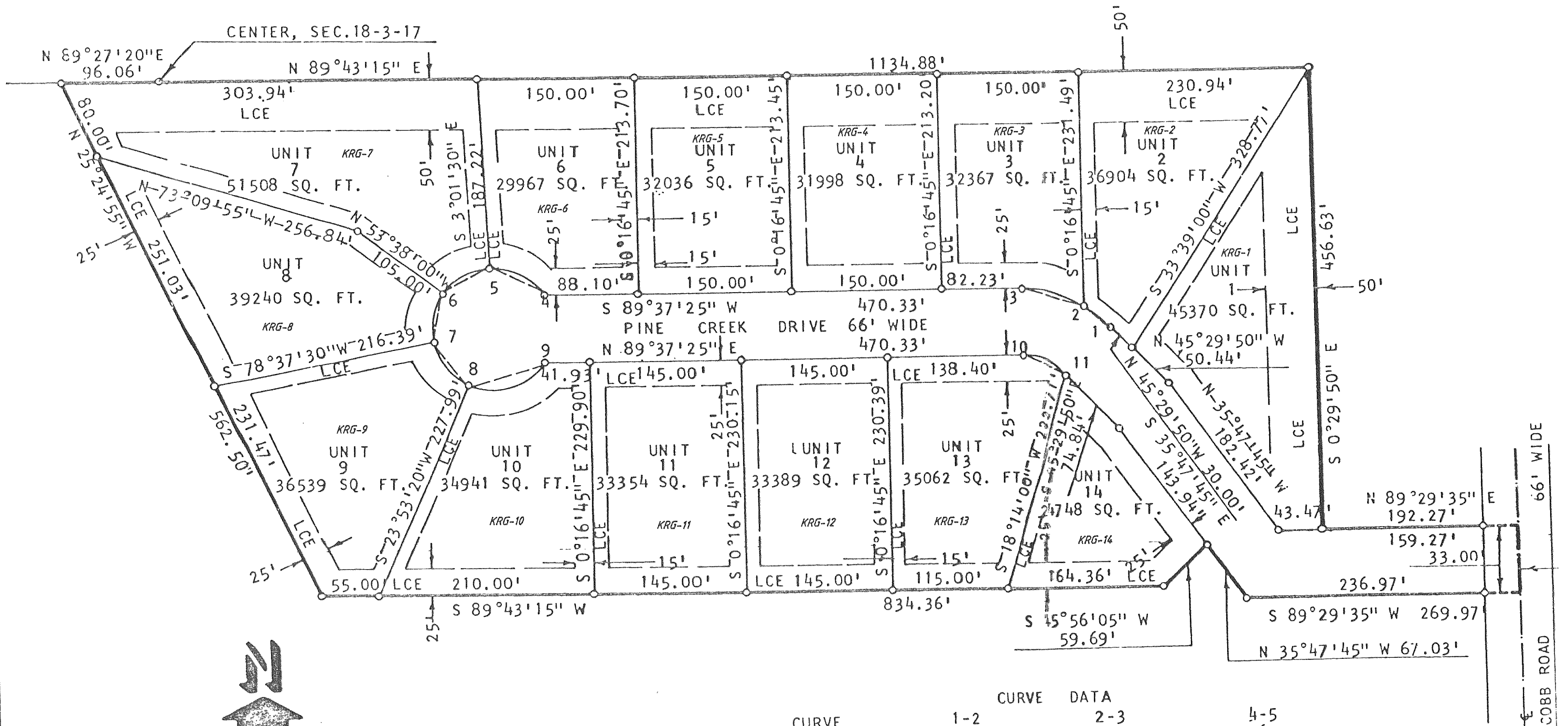
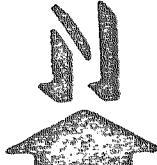
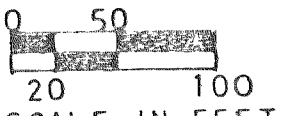


# PHASE 1 OF ROLLING GREEN COUNTRY ESTATES

A CONDOMINIUM

LOCATED IN THE SOUTHEAST 1/4 AND THE SOUTHWEST 1/4 OF SECTION  
18, T3N, R17E, TOWN OF LAFAYETTE, WALWORTH COUNTY, WISCONSIN.



  
  
 SCALE IN FEET  
 LEGEND  
 o - 1"X24" 1.13 LBS./LIN.FT.  
 IRON PIPE SET  
 LCE- LIMITED COMMON ELEMENT

NOTE: LIMITED COMMON ELEMENT ALSO TO BE USED AS A UTILITY EASEMENT AND UTILITY EASEMENT WILL BE LIMITED TO LIMITED COMMON ELEMENT.

REVISIONS : 04/30/9

		CURVE DATA		
		1-2	2-3	4-5
CURVE UNIT		2	3	6
CHORD BEARING		N 52°37'35"W	N 75°04'00"W	N 63°23'00"W
DISTANCE		33.01'	70.24'	59.35'
RADIUS		133.00'	133.00'	60.00'
ARC		33.10'	71.08'	62.08'
CENTRAL ANGLE		14°15'35"	30°37'10"	59°16'55"
TANGENT		16.64'	36.41'	34.14'
		5-6	6-7	7-8
CURVE UNIT		7	8	9
CHORD BEARING		S 61°40'15"W	S 12°29'45"W	S 38°44'35"E
DISTANCE		51.29'	48.56'	55.16'
RADIUS		60.00'	60.00'	60.00'
ARC		53.00'	50.00'	57.32'
CENTRAL ANGLE		50°36'30"	47°44'35"	54°44'10"
TANGENT		28.37'	26.55'	31.06'
		8-9	10-11	
CURVE UNIT		10	13	
CHORD BEARING		N 73°26'25"E	S 67°56'10"E	
DISTANCE		77.85'	51.15'	
RADIUS		60.00'	67.00'	
ARC		84.72'	52.48'	
CENTRAL ANGLE		80°53'55"	44°52'45"	
TANGENT		51.15'	27.67'	