

CERTIFIED SURVEYS

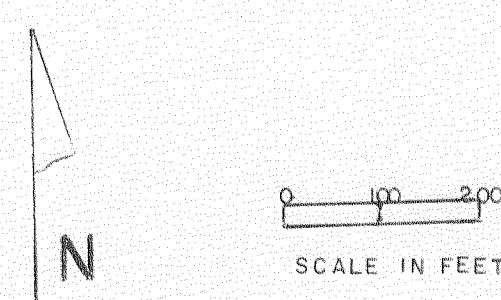
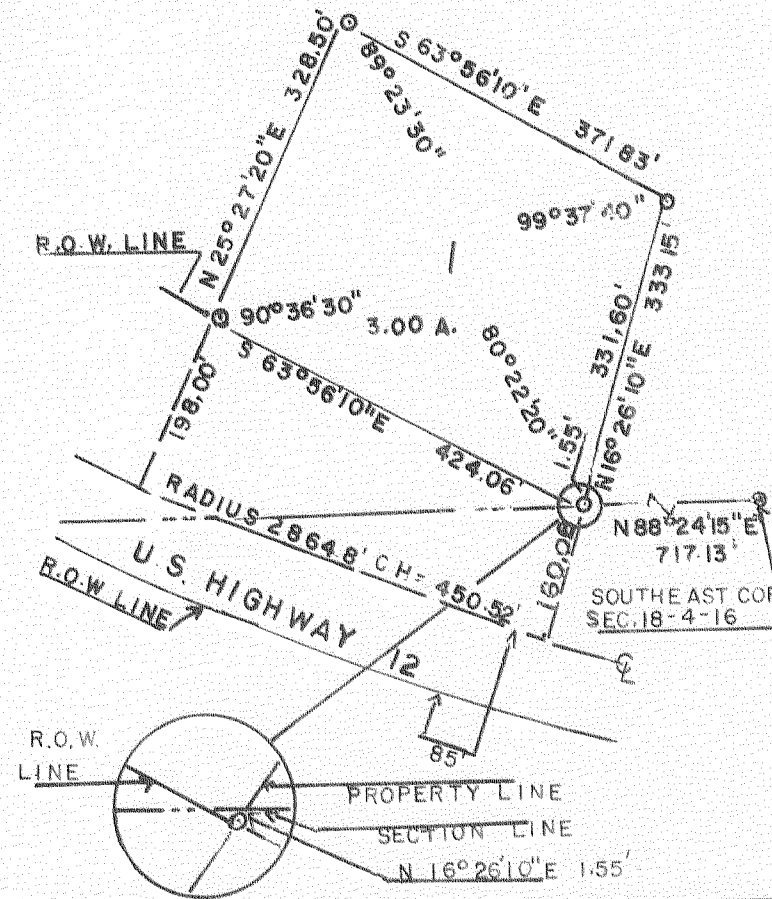
NO'S 313 & 316

CERTIFIED SURVEY NO. 313
 LOCATED IN THE S-1/2 OF THE
 SE-1/4 OF THE SE-1/4 OF SECTION
 18, TOWN 4 N, R16E.

SOIL TYPES: 73, 82, 152, 173.

- IRON PIPE PLACED, 1" X 24" 143 LB/LIN. FT.
- CONCRETE MONUMENT 5" DIA. X 30"

NOTE: BEARINGS ARE ASSUMED FROM
 PREVIOUS SURVEYS



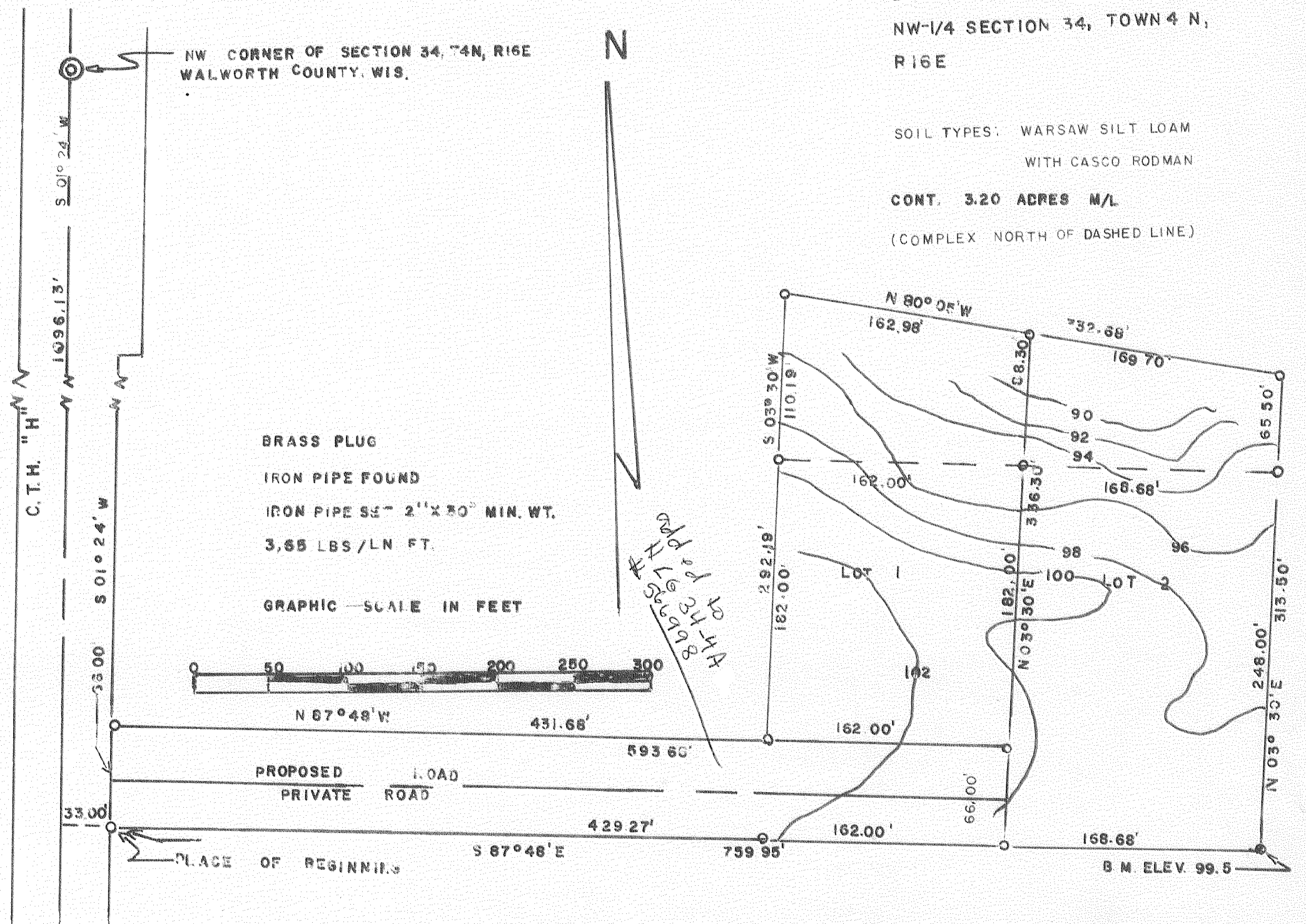
CERTIFIED SURVEY NO. 316

LOCATED IN THE NW-1/4 OF THE
 NW-1/4 SECTION 34, TOWN 4 N,
 R16E

SOIL TYPES: WARSAW SILT LOAM
 WITH CASCO RODMAN

CONT. 3.20 ACRES M/L

(COMPLEX NORTH OF DASHED LINE)



BRASS PLUG
 IRON PIPE FOUND
 IRON PIPE SE 2" X 30" MIN. WT.
 3.65 LBS/LN FT.

GRAPHIC —SCALE IN FEET



Handwritten note: # 142 of 180 Sec 34 T4N R16E

PROPOSED ROAD
 PRIVATE ROAD

PLACE OF BEGINNING

B.M. ELEV. 99.5