

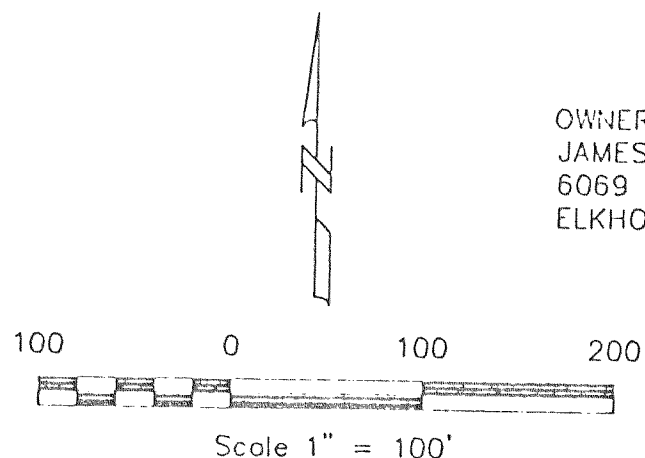
TOWN OF LAGRANGE

CERTIFIED SURVEY MAP NO. 2938

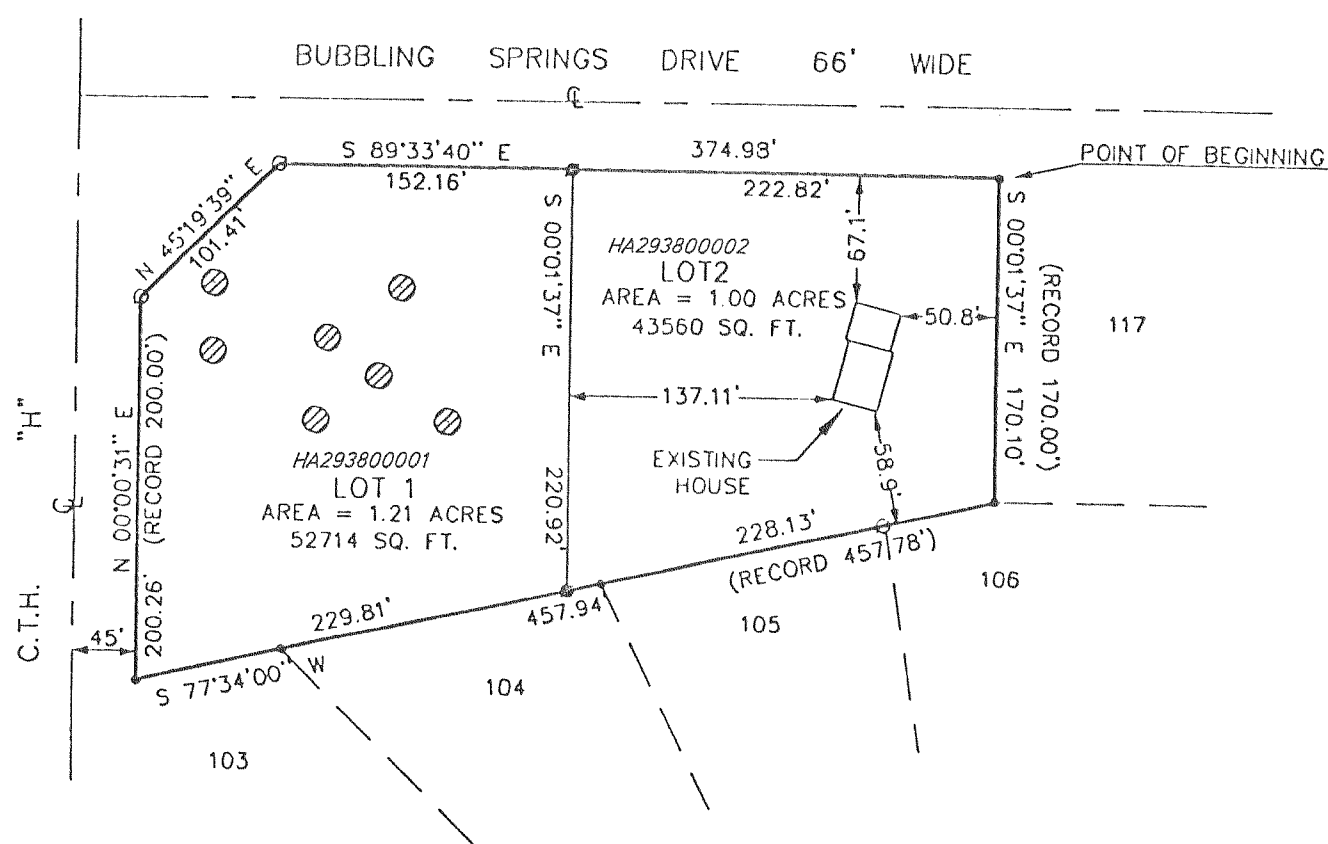
LOT 118 OF MARINER HILLS SUBDIVISION, LOCATED IN SECTION 34, T.4.N, R.16.E., TOWN OF LAGRANGE, WALWORTH COUNTY, WISCONSIN.

LEGEND

- 1" IRON PIPE FOUND
- IRON ROD FOUND
- SET IRON PIPE 24" LONG WEIGHING 1.13 LBS. / LINEAL FT., 1" DIA.
- ⊗ SOIL BORING



OWNER:
JAMES MURPHY
6069 BUBBLING SPRINGS DR.
ELKHORN, WI 53121



ZONING R-1

SOIL TYPE CeD2

NOTE: SLOPE IS LESS THAN 12 % ON LOT 1

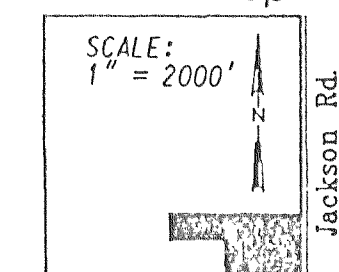
NOTE: BEARINGS REFERENCED TO THE NORTH LINE OF LOT 118 AS SHOWN ON THE RECORD PLAT OF MARINER HILLS SUBDIVISION.

REVISIONS :

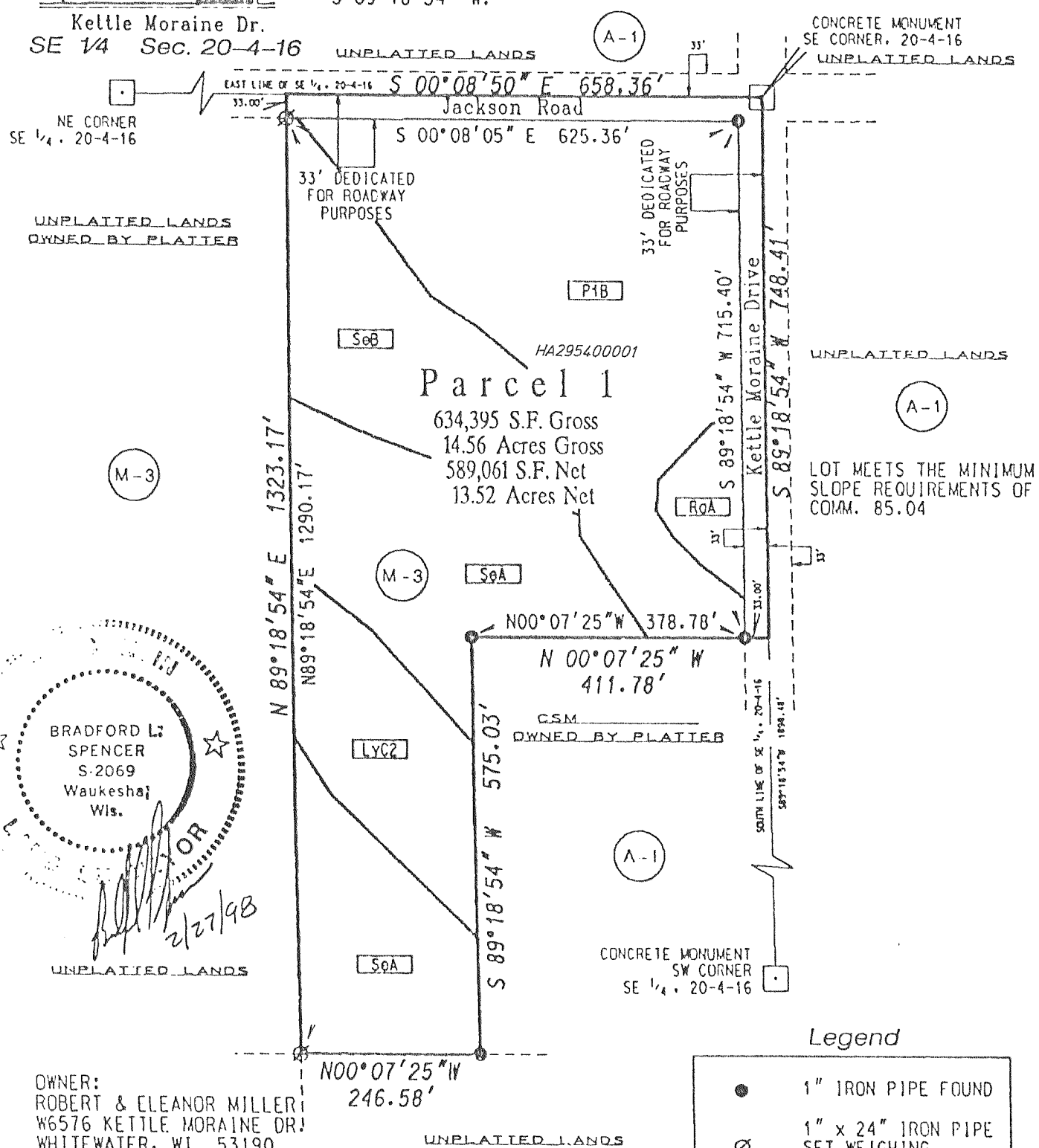
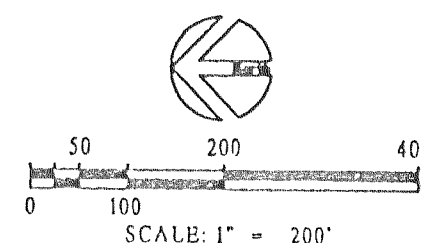
CERTIFIED SURVEY MAP NO. 2954

BEING A PARCEL OF LAND IN PART OF THE SE 1/4 OF THE SE 1/4 OF SECTION 20, TOWN 4 NORTH, RANGE 16 EAST, TOWN OF LA GRANGE, WALWORTH COUNTY, WISCONSIN.

Location Map



Basis of Bearing -
The South Line of the SE 1/4 of Section 20-4-16 was taken to bear S 89°18'54" W.



Kettle Moraine Dr.
SE 1/4 Sec. 20-4-16

Parcel 1

634,395 S.F. Gross
14.56 Acres Gross
589,061 S.F. Net
13.52 Acres Net

LOT MEETS THE MINIMUM SLOPE REQUIREMENTS OF COMM. 85.04

BRADFORD L. SPENCER
S-2069
Waukesha, Wis.

OWNER:
ROBERT & ELEANOR MILLER
W6576 KETTLE MORaine DR.
WHITWATER, WI 53190

SURVEYOR:
RSV ENGINEERING, INC.
801 MAIN STREET
MUKWONAGO, WI 53149

REVISIONS :

Legend

- 1" IRON PIPE FOUND
- 1" x 24" IRON PIPE SET WEIGHING 1.13 # / L.F.
- ⊗ EXISTING ZONING