

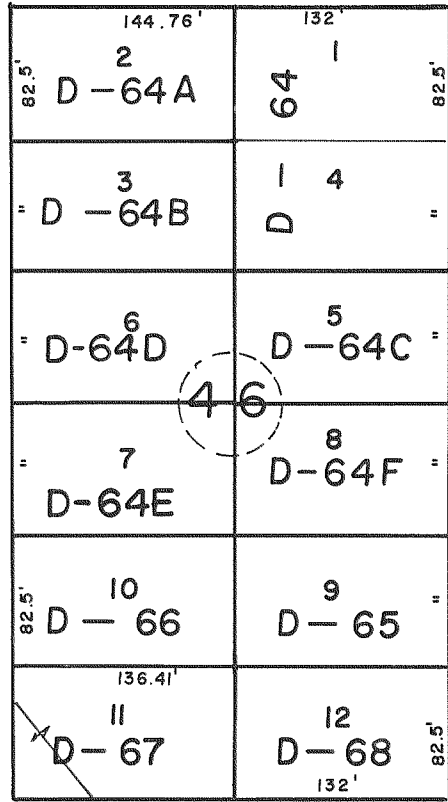
DAVIS ADD.

CITY OF ELKHORN
SCALE - 1" = 120'

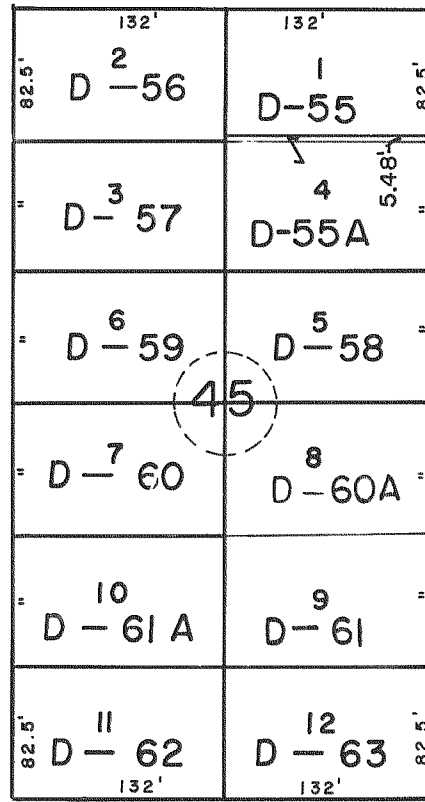


— PROPERTY LINES
— LOT LINES
- - - SECTION LINES

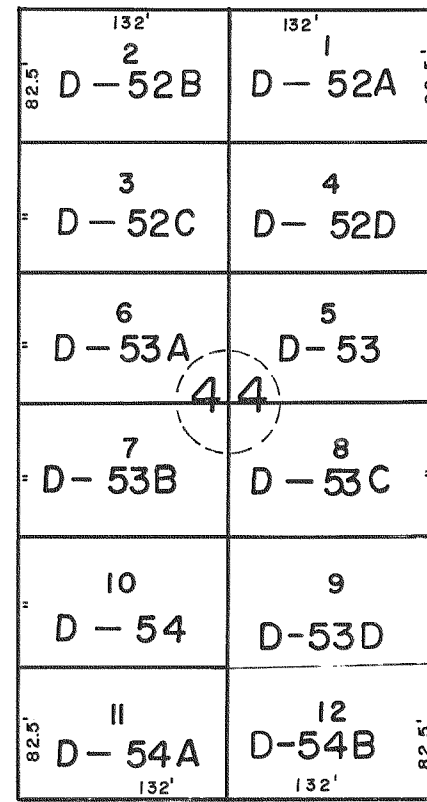
THIRD



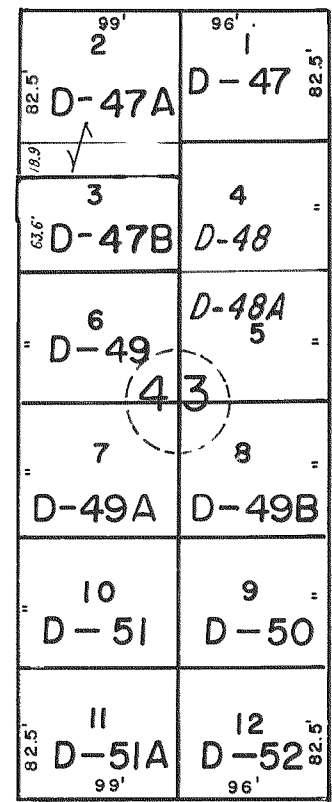
STREET



STREET

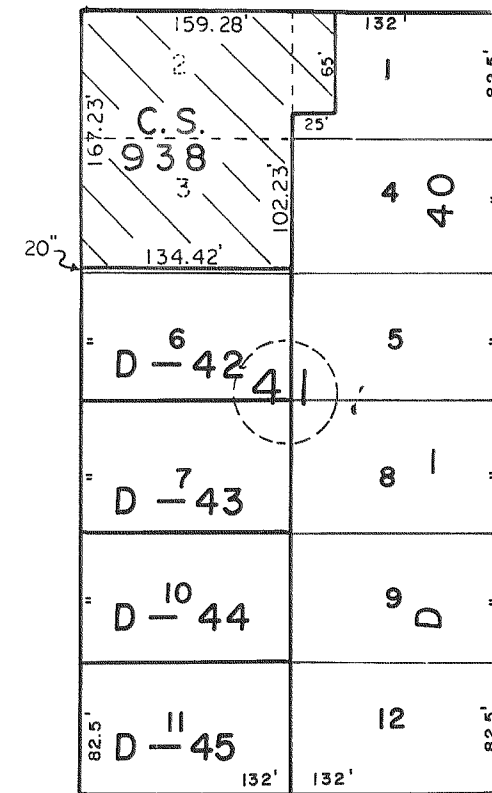
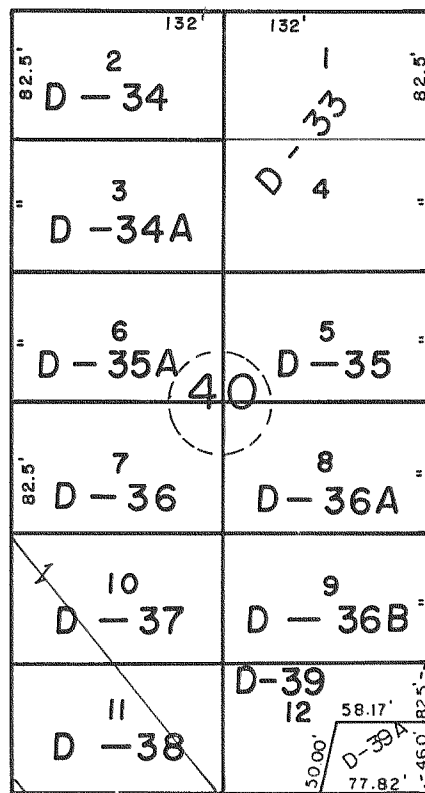
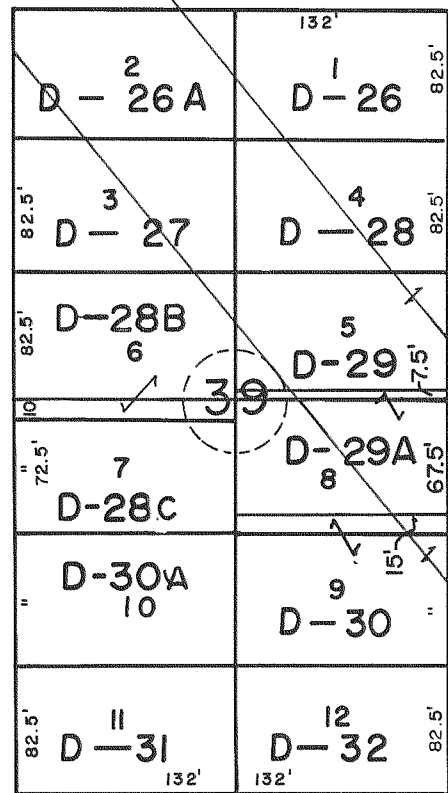


STREET

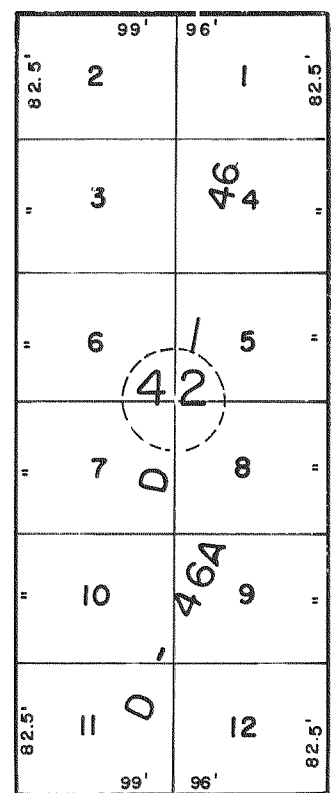


STREET

SECOND

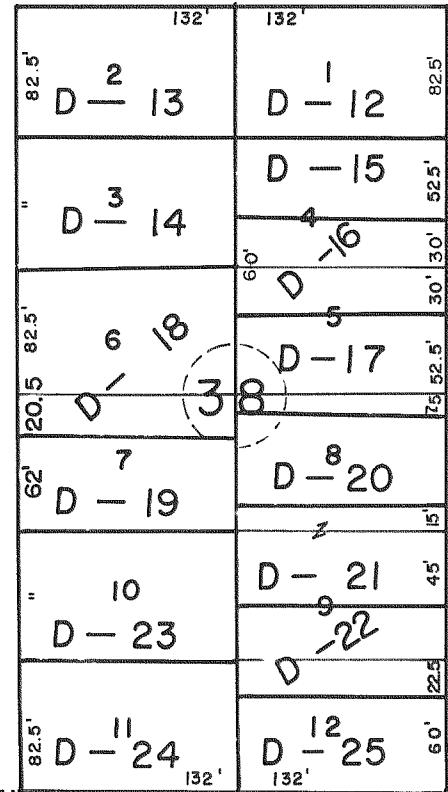


AVENUE

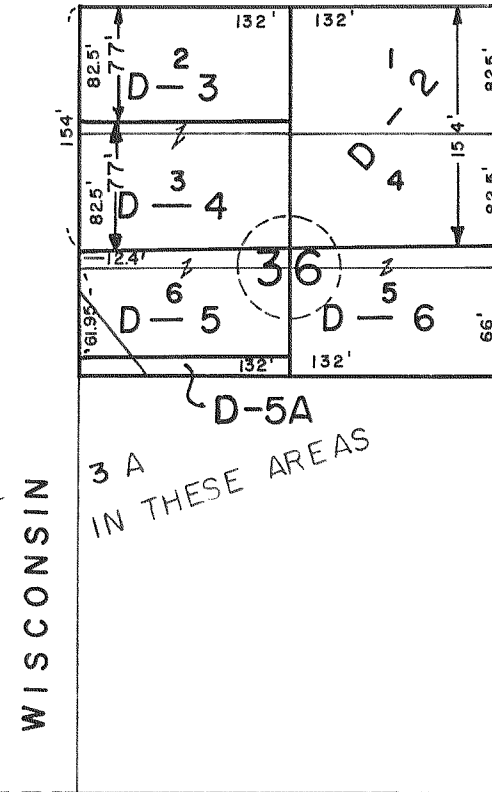
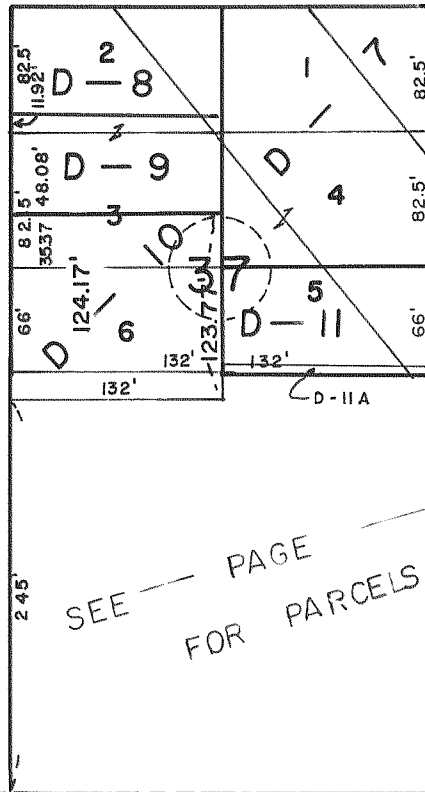


E. LINE SEC. 36
(EAST STREET)

FIRST

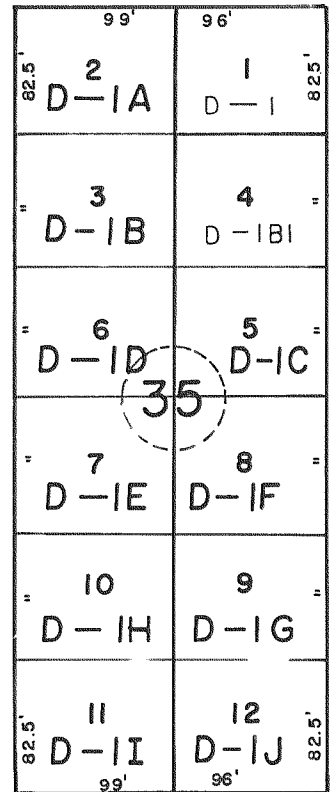


BROAD



WISCONSIN

AVENUE



LINCOLN

SEE PAGE FOR PARCELS

3 A IN THESE AREAS

E - W 1/4 LINE

SEC. 36

12/29/92
06/30/93
03/16/00
04/05/00