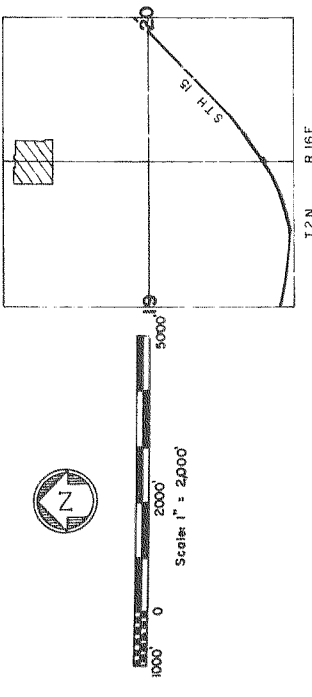
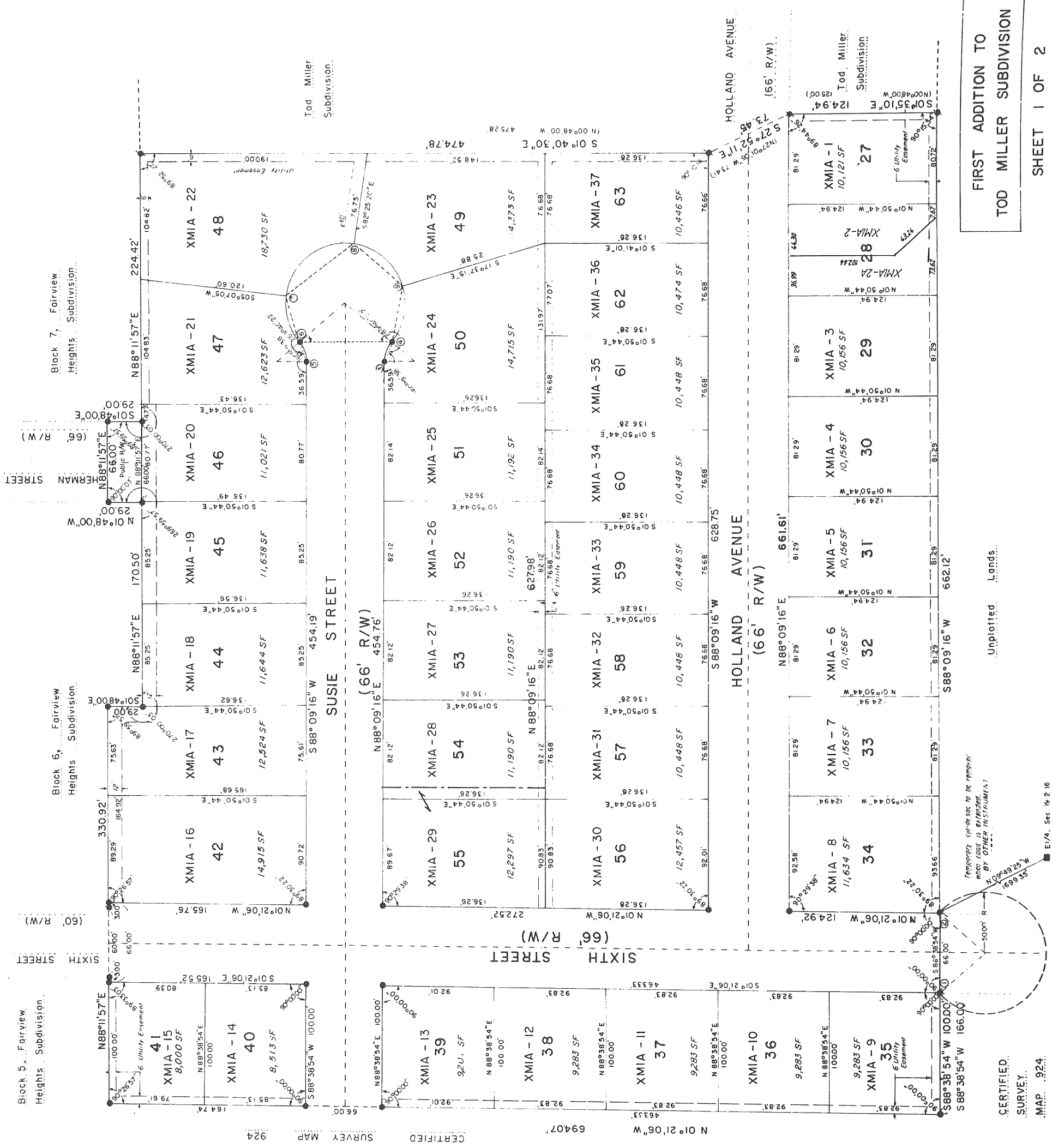


FIRST ADDITION TO TOD MILLER SUBDIVISION

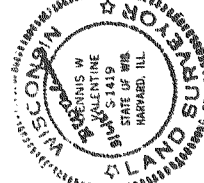
A PART OF NE1/4 OF SECTION 19 AND NW1/4 OF SECTION 20, ALL IN TOWNSHIP 2 NORTH, RANGE 16 EAST IN THE CITY OF DELAVAN, WALWORTH COUNTY, WISCONSIN



CURVE	LOT No.	RADIUS	CHORD BEARING	CENTRAL ANGLE	LENGTH	TANGENT
1-2	65	50.00'	S 88°38'54" W	27°24'00"	242.08'	INF
3-4	66	25.00'	S 72°10'21.5" E	39°20'45"	11.11'	89.4'
5-6	67	25.00'	S 69°28'33.5" W	39°20'45"	7.77'	89.4'
6-7	67	50.00'	S 71°57'48" W	48°18'34"	43.91'	21.38'
7-8	68	50.00'	S 38°39'07" E	92°27'36"	80.69'	52.19'
8-9	69	50.00'	S 39°58'45" W	69°48'04"	56.85'	31.73'
9-4	69	50.00'	N 80°03'37" W	59°07'16"	4810'	2610'
4-6	-	5000'	N 0°50'54" W	25°15'	25°15'	INF
10	-	-	-	-	-	S 49°20'54" W
2	-	-	-	-	-	N 50°03'06" W
3	-	-	-	-	-	N 88°09'16" E
4	-	-	-	-	-	S 52°29'59" E
5	-	-	-	-	-	N 88°09'16" E
6	-	-	-	-	-	N 88°48'31" E

Certified true and correct to the original
 by the County Recorder, Walworth County, Wisconsin
 This Survey was recorded on the 19th day of June, 1981

Section Corner, Brass Cap in Concrete
 2" Iron Pipe, Found, 30" Long, 3.65 LB/FT
 2" Iron Pipe, Set, 30" Long, 3.65 LB/FT
 All Other Lot Corners, 3/4" x 24" Round Rod, 150 LB/FT
 () Recorded As



Basis of Bearings: Earth Line, NE 1/4, Sec 19-2-16
 N 01°22'42" W, assumed

Revisions: 10/22/90
 12/04/96

FIRST ADDITION TO
TOD MILLER SUBDIVISION

SHEET 1 OF 2