

# PLAT OF SURVEY



FOR: EDITH KLEMENT

DATE: 4/5/96

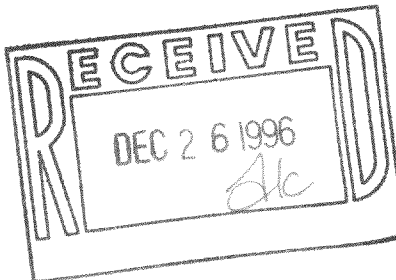
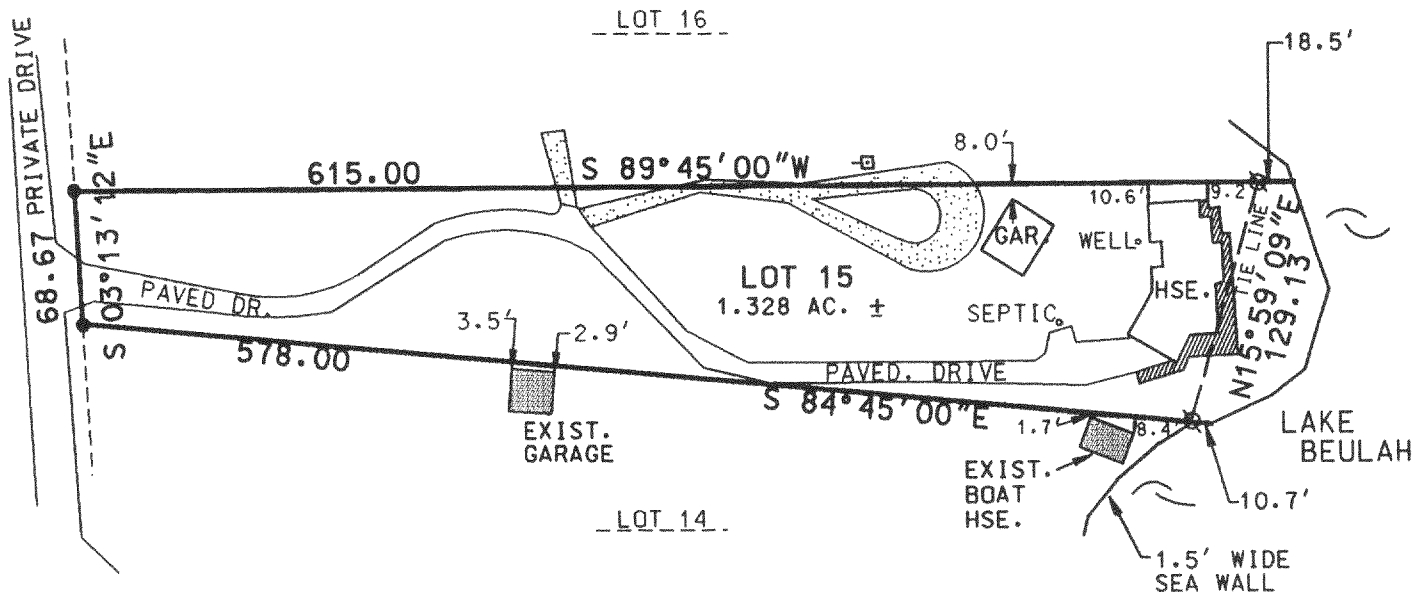
DESCRIPTION: LOT 15 OF RAMADKA PARK, BEING A SUBDIVISION IN THE SE<sup>1</sup>/<sub>4</sub> OF SECTION 5, AND THE NE<sup>1</sup>/<sub>4</sub> OF SECTION 8, BOTH IN TOWNSHIP 4 NORTH, RANGE 18 EAST, TOWN OF EAST TROY, WALWORTH COUNTY, WISCONSIN.

## LEGEND

- ☐ POWER POLE
- ⊗ 1" IRON PIPE SET
- IRON PIPE FOUND
- ▨ DECK
- ▤ GRAVEL DRIVE



SCALE 1" = 100'



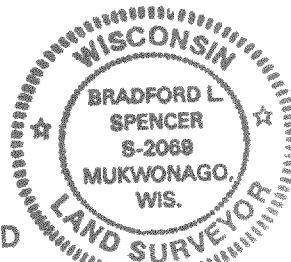
THE ABOVE MAP IS A TRUE REPRESENTATION THEREOF AND SHOWS THE SIZE AND LOCATION OF ALL THE PROPERTY, EXTERIOR BOUNDARIES, THE LOCATION OF ALL VISIBLE BOUNDARY FENCES, APPARENT EASEMENTS, ROADWAYS AND VISIBLE ENCROACHMENTS, IF ANY.

THIS SURVEY IS MADE FOR THE USE OF THE PRESENT OWNERS OF THE PROPERTY, AND ALSO THOSE WHO PURCHASE, MORTGAGE OR GUARANTEE TITLE THERETO WITHIN ONE (1) YEAR FROM DATE HERETO.

BRADFORD L. SPENCER, R.L.S. 2069  
RSV#96037.DGN

PRP-18 (Part of)

THIS IS ORIGINAL  
PRINT ONLY IF  
SEAL IS IMPRINTED  
IN RED



418-1126