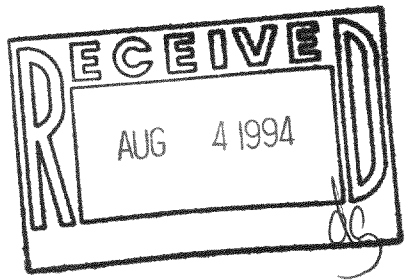
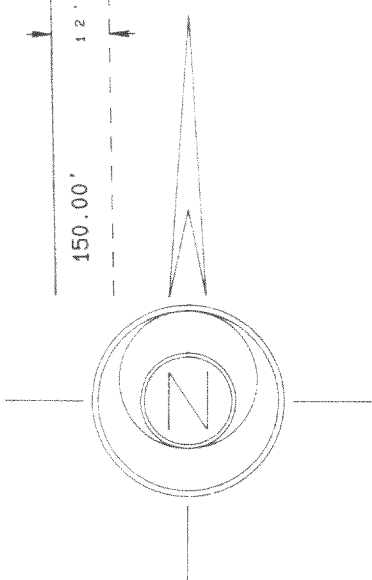
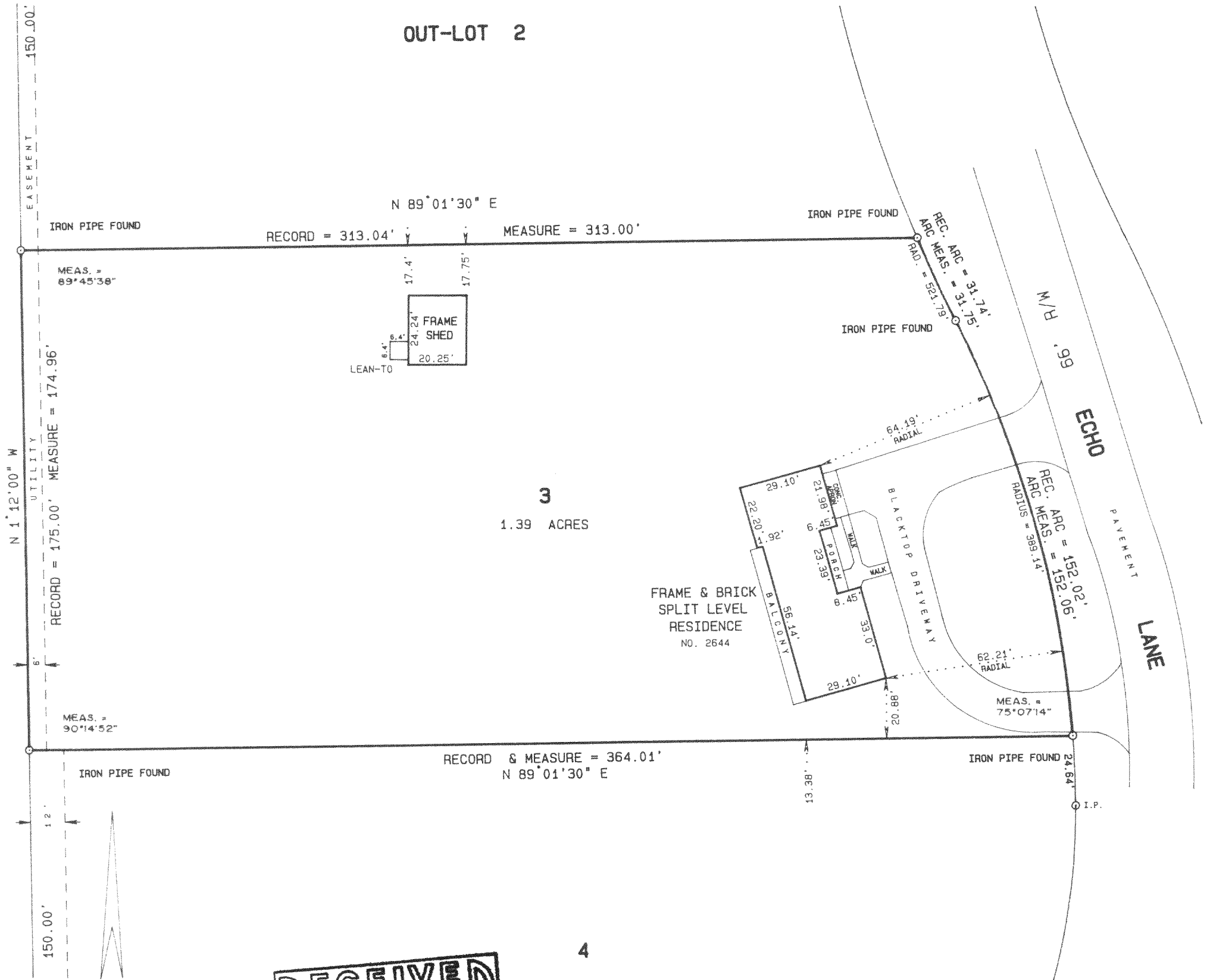


PLAT OF SURVEY

of Lot 3 of KNOB HILL SUBDIVISION, a subdivision located in the Northwest Quarter of the Northeast Quarter of Section 27, Township 2 North, Range 18 East of the 4th Principal Meridian, Town of Lyons, Walworth County, Wisconsin.

AMBIT LAND SURVEYING
 P.O. Box 42
 Bassett, WI. 53101
 414-537-4874



I hereby certify that I have surveyed the above described property and the above plat is a true representation thereof and shows the size and location of the property, its exterior boundaries, the location and dimensions of all visible structures thereon, boundary fences, apparent easements and roadways and visible encroachments, if any.

This survey is made for the exclusive use of the present owners of the property, and also those who purchase, mortgage, or guarantee the title thereto within one year from the date hereof.

SCALE 1 inch = 40 feet
 ORDERED BY D. Schiltz / Davison, Mulligan & Schiltz, LTD.
 JOB NO. 94183

Dated at Bassett, Wisconsin this 24th day of MAY 1994.

Mark A. Bolender
 Mark A. Bolender
 Wisconsin Registered Land Surveyor S - 1784