

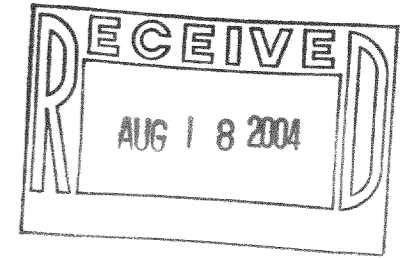
**ABERNATHY and ASSOCIATES**

Kenneth B. Abernathy Jr.

Wisconsin Registered Land Surveyor S-1594

W4056 BRAY RD.  
ELKHORN, WI. 53121  
PHONE: (262) 723-4260 (OFFICE)  
(262) 723-7209 (FAX)  
Email: abernathy@elknet.net

OWNER: PHILLIP H. CLINE  
4326 EAST DRIVE  
DELAVAN, WI. 53115



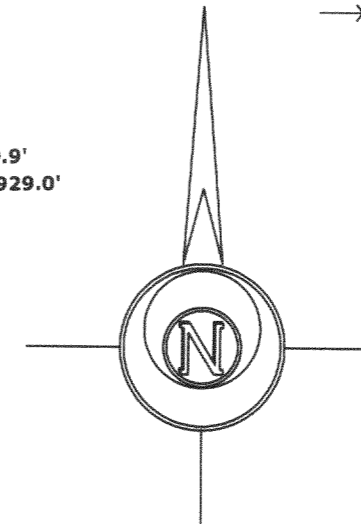
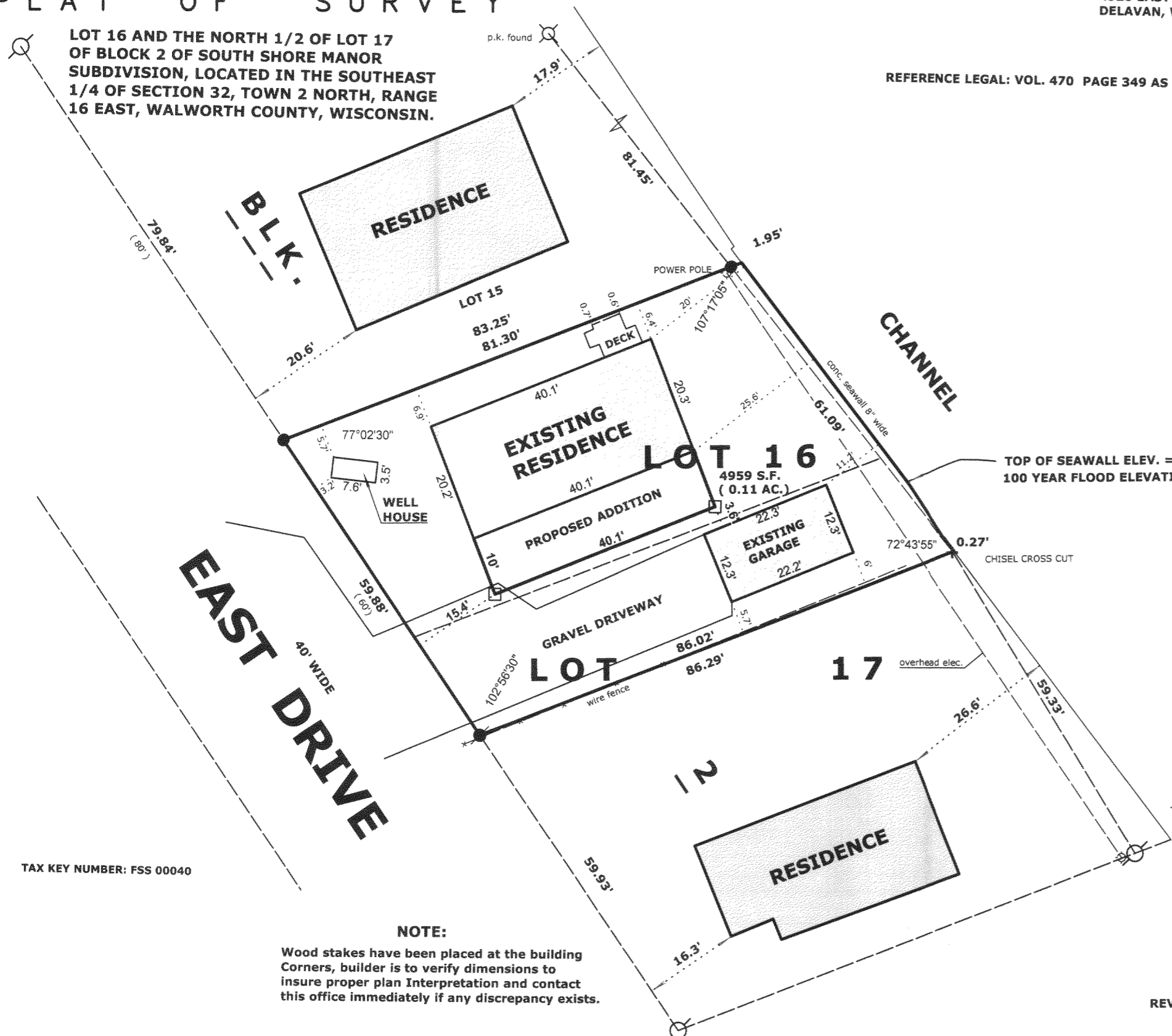
**PLAT OF SURVEY**

LOT 16 AND THE NORTH 1/2 OF LOT 17  
OF BLOCK 2 OF SOUTH SHORE MANOR  
SUBDIVISION, LOCATED IN THE SOUTHEAST  
1/4 OF SECTION 32, TOWN 2 NORTH, RANGE  
16 EAST, WALWORTH COUNTY, WISCONSIN.

REFERENCE LEGAL: VOL. 470 PAGE 349 AS DOC. NO. 185079

**Legend**

- FOUND IRON PIPE
- FOUND IRON ROD
- ⊠ FOUND BRASS CAPPED MONUMENT
- FOUND CONCRETE MONUMENT
- + CHISEL CUT IN CONCRETE
- SET IRON ROD, 24" LONG, WEIGHING 1.5 LBS./LINEAL FT., 3/4" DIA.
- SET IRON ROD, 30" LONG, WEIGHING 4.5 LBS./LINEAL FT., 1-11/16" DIA.
- ( x x ) RECORDED AS DIMENSION
- x — x — EXISTING FENCE



SCALE: 1" = 20 FEET



"I hereby certify that the above described property has been surveyed by me or under my direction and that the above map is a true representation thereof and shows the size and location of the property, its exterior boundaries, the location of all visible structures and dimensions of all principal buildings thereon, boundary fences, apparent easements, roadways and visible encroachments, if any."  
"This survey is made for the use of the present owners of the property, and also those who purchase, mortgage, or guarantee the title thereto within one year from the date hereof."

*Kenneth B. Abernathy, Jr.*

**KENNETH B. ABERNATHY, JR.**  
WISCONSIN REGISTERED LAND SURVEYOR,  
S-1594

Date: July 15, 2004 Job No. 04.608

REVISED AUGUST 14, 2004

**NOTE:**  
Wood stakes have been placed at the building corners, builder is to verify dimensions to insure proper plan interpretation and contact this office immediately if any discrepancy exists.

TAX KEY NUMBER: FSS 00040

FSS 00040

216-3797