

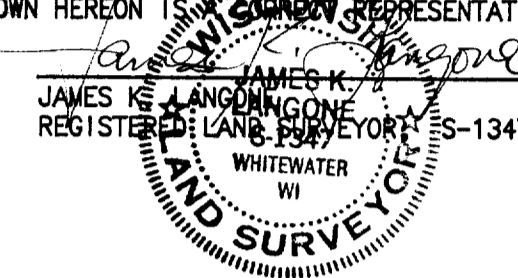
# PLAT OF SURVEY

A PORTION OF LOT 9, BLOCK 20, CHAPMAN & LUDINGTON'S ADDITION TO THE VILLAGE OF WHITEWATER, IN THE CITY OF WHITEWATER, COUNTY OF WALWORTH, WISCONSIN

## SURVEYOR'S CERTIFICATE

I, JAMES K. LANGONE, REGISTERED LAND SURVEYOR, CERTIFY THAT I HAVE SURVEYED THE PROPERTY DESCRIBED BELOW AND THAT THE PLAT SHOWN HEREON IS A TRUE AND CORRECT REPRESENTATION OF THE BOUNDARIES THEREOF

DATE: 9/5/95



## LEGAL DESCRIPTION PARCEL "A"

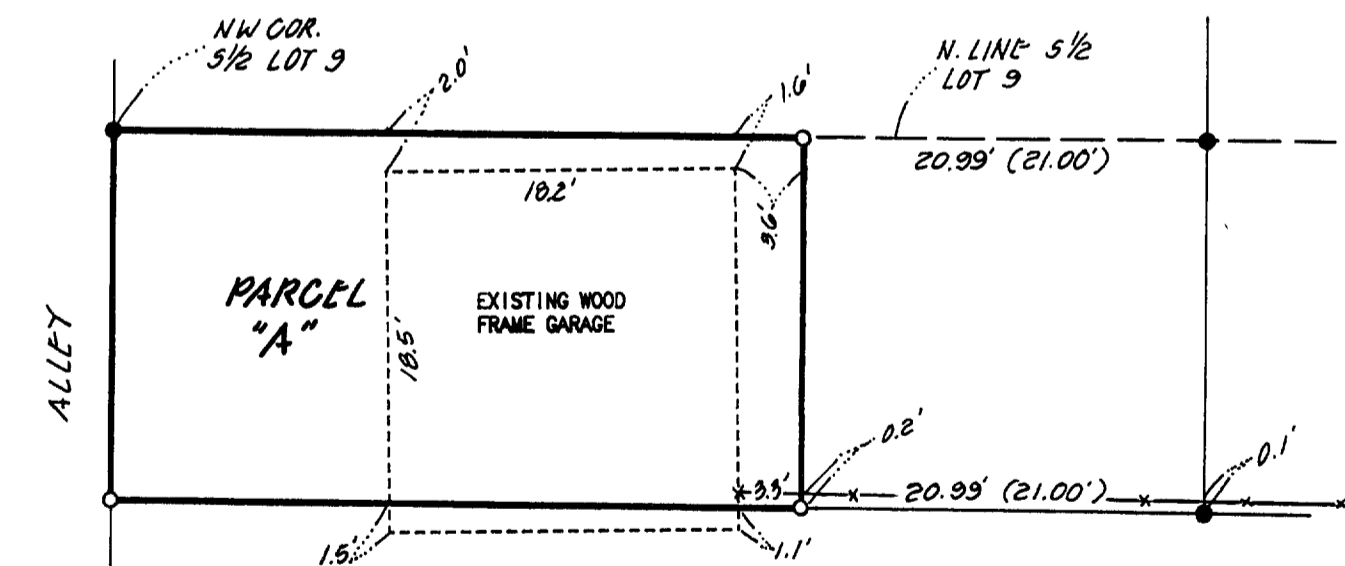
COMMENCING AT THE NORTHEAST CORNER OF THE SOUTH 1/2 LOT 9, BLOCK 20, CHAPMAN & LUDINGTON'S ADDITION TO THE VILLAGE OF WHITEWATER; THENCE N 89°53'30" W, ALONG THE NORTH LINE OF SAID SOUTH 1/2 OF LOT 9, 108.11 FEET TO A POINT WHICH IS 36.00 FEET EAST OF THE WEST LINE OF SAID LOT 9, SAID POINT BEING THE "POINT OF BEGINNING"; THENCE S 0°08'29" E, PARALLEL TO THE EAST LINE OF SAID LOT 9, 19.00 FEET; THENCE N 89°53'30" W, PARALLEL TO THE NORTH LINE OF SAID SOUTH 1/2 OF SAID LOT 9, 36.03 FEET, TO THE WEST LINE OF SAID LOT 9; THENCE N 0°02'29" W, ALONG SAID WEST LINE, 19.00 FEET, TO THE NORTHWEST CORNER OF SAID SOUTH 1/2 OF LOT 9; THENCE S 89°53'30" E, ALONG THE NORTH LINE OF SAID SOUTH 1/2, 36.00 FEET, TO THE "POINT OF BEGINNING".

NOTE: THIS PARCEL IS CREATED FOR A SALE OF LAND BETWEEN ADJACENT OWNERS AND MAY NOT BE SOLD AS A SEPARATE PARCEL OR USED AS A SEPARATE BUILDING SITE UNLESS BROUGHT INTO FULL COMPLIANCE WITH ALL APPLICABLE ZONING AND SUBDIVISION ORDINANCES.

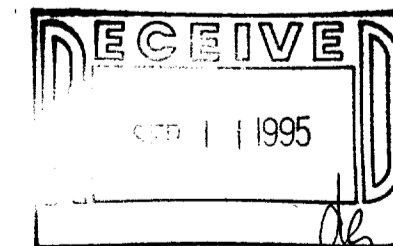
## SURVEYOR'S NOTES

- INDICATES SET 3/4" IRON ROD
- INDICATES FOUND 1" IRON PIPE, UNLESS OTHERWISE NOTED
- INDICATES FOUND 1/2" SQUARE IRON BAR
- (A) INDICATES RECORD DISTANCE
- (A) INDICATES COURSE: S 0°08'29" E, 19.00'

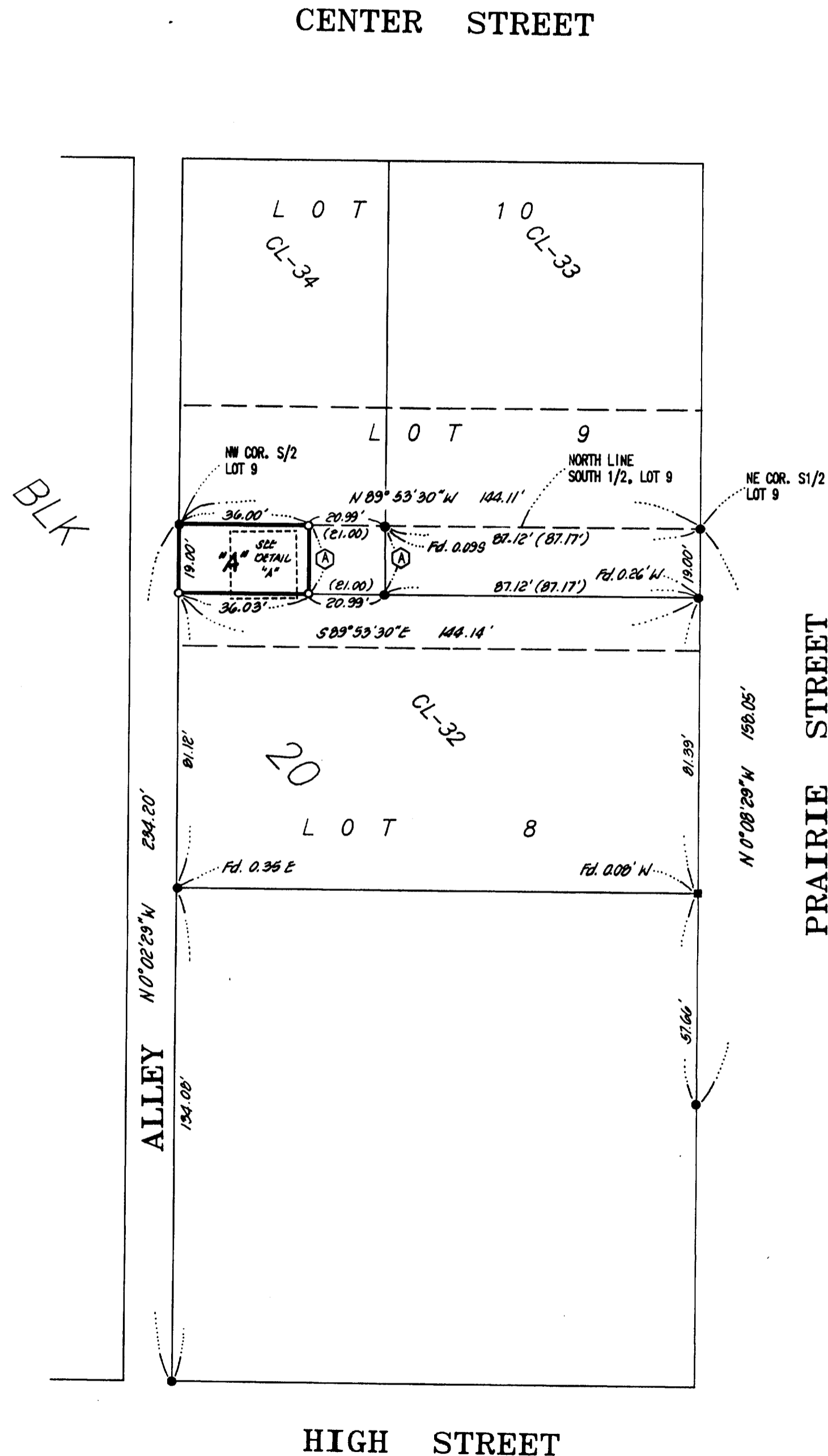
BASIS OF BEARINGS:  
THE NORTH LINE OF THE SOUTH 1/2 OF LOT 9  
AS N 89°53'30" W



DETAIL "A"  
SCALE 1"=10'



SCALE: 1"=30'



CL-32  
10-549

<b>JAMES K. LANGONE</b> LAND SURVEYS & CIVIL ENGINEERING		
N339 Co. Rd. "N" (Upper) Whitewater, WI. 53190-2842 (414) 473-4119		
SCALE: AS NOTED	APPROVED BY:	DRAWN BY: <i>JL</i>
DATE: 9/3/95		REVISED:
CLIENT: KASTER		
		DRAWING NUMBER: 95-112